



UM4000 / UM4900

HIGH POWER PIN DIODES

DESCRIPTION

The UM4000 and UM4900 series features high power PIN diodes with long carrier lifetimes and thick I-regions. They are especially suitable for use in low distortion switches and attenuators, in HF through S band frequencies. While both series are electrically equivalent, the UM4900 series have higher power ratings due to a shorter thermal path between the chip and package. High charge storage and long carrier lifetime enable high RF levels to be controlled with relatively low bias current.

Similarly, peak RF voltages can be handled well in excess of applied reverse bias voltage.

Both series have been fully qualified in high power UHF phase shifters and megawatt peak-power duplexers, accumulating thousands of hours of proven performance. Both types have been used in the design of antenna selectors and couplers, where inductance and capacitance elements are switched in and out of filter or cavity networks.

KEY FEATURES

- Voltage ratings to 1000 V
- Power dissipation to 37.5 W
- Series resistance rated at 0.5 Ω
- Carrier lifetime greater than 5 μ s
- Non cavity design
- Thermally matched configuration
- Low capacitance at 0 V bias
- Low conductance at 0 V bias
- Compatible with automatic insertion equipment

IMPORTANT: For the most current data, consult MICROSEMI's website: <http://www.microsemi.com>

ABSOLUTE MAXIMUM RATINGS AT 25° C (UNLESS OTHERWISE SPECIFIED)

Package	Condition	UM4000		UM4900	
		PD	θ	PD	θ
A	25 °C Pin Temperature	25 W	6 °C/W	37.5 W	4 °C/W
B & E	½ in. total length to 25 °C Contact Free Air	12 W 2.5 W	12.5 °C/W	12 W 2.5 W	12.5 °C/W
C	25 °C Stud Temperature	25 W	6 °C/W	37.5 W	4 °C/W
D	25 °C Stud Temperature	18.75 W	8 °C/W	25 W	6 °C/W
SM	25 °C End Cap Temperature	20 W	7 °C/W	N/A	
All	1 us pulse (Single)	100 kW		100 kW	

APPLICATIONS/BENEFITS

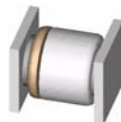
- Isolated stud package available
- Surface mount package available

VOLTAGE RATINGS

Reverse Voltage @ 10 uA	UM4000	UM4900
100	UM4001	UM4901
200	UM4002	UM4902
400	-	-
600	UM4006	UM4906
1000	UM4010	-



Style "B"

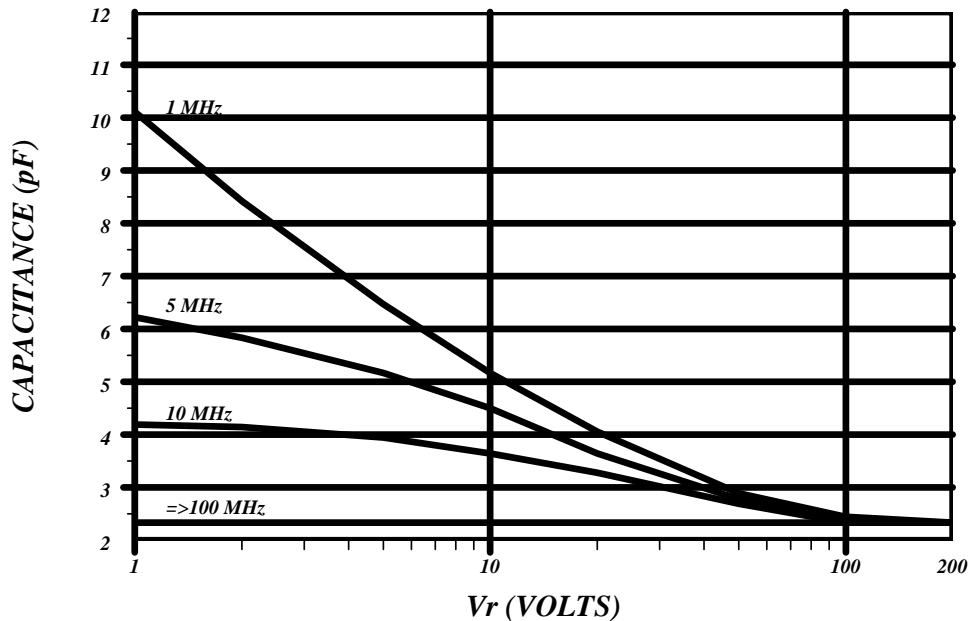


Style "SM"

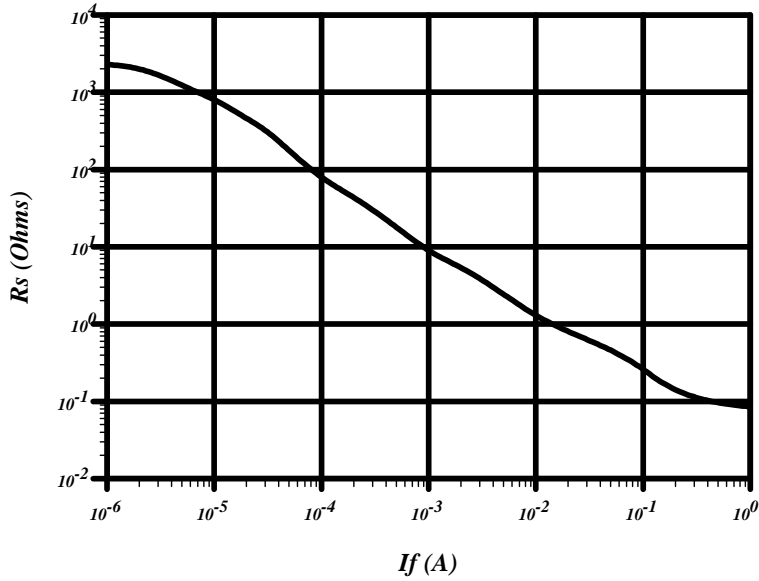
ELECTRICAL PARAMETERS @ 25°C (unless otherwise specified)

Parameter	Symbol	Conditions	Min	Typ.	Max	Units
Forward Voltage	V_F	$I_F = 100 \text{ mA}$			1.0	V
Reverse Current	I_R	At rated voltage			10	μA
Series Resistance	R_S	$I_F = 100 \text{ mA}, F = 100 \text{ MHz}$		0.3	0.5	Ohm
Capacitance	C_T	$V_R = 100 \text{ V}, F = 1 \text{ MHz}$		2.4	3	pF
Parallel Resistance	R_P	$V_R = 100 \text{ V}, F = 100 \text{ MHz}$	10k	15k		Ohms
Carrier Lifetime	τ	$I_F = 10 \text{ mA}$	5	10		us

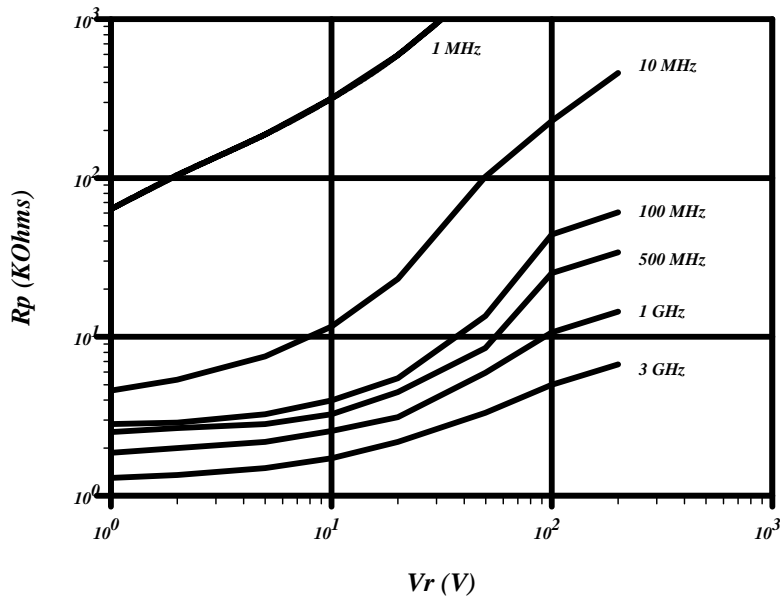
UM4000/UM4900
TYPICAL

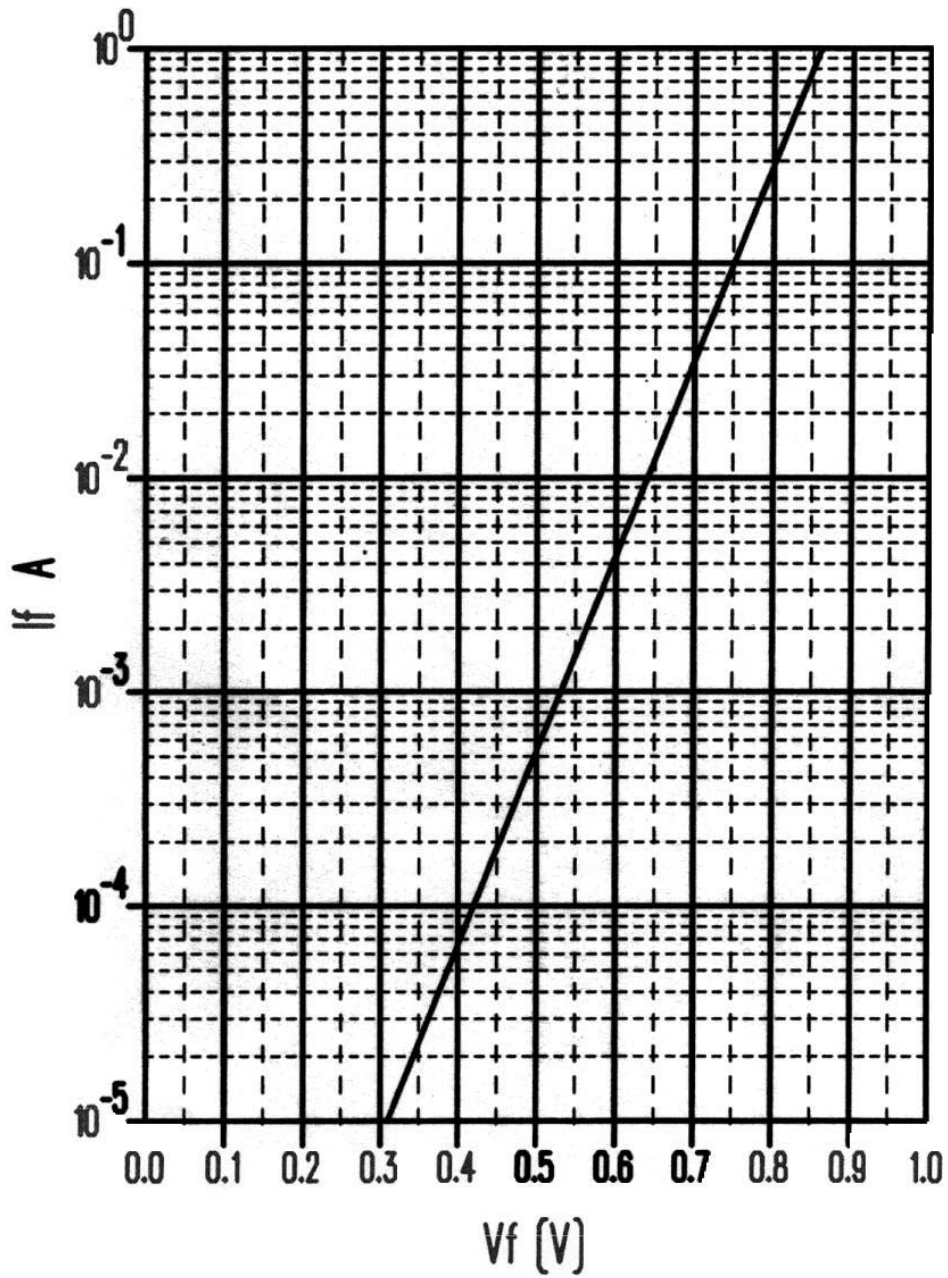


F = 100 MHz
 UM4000/UM4900
 TYPICAL

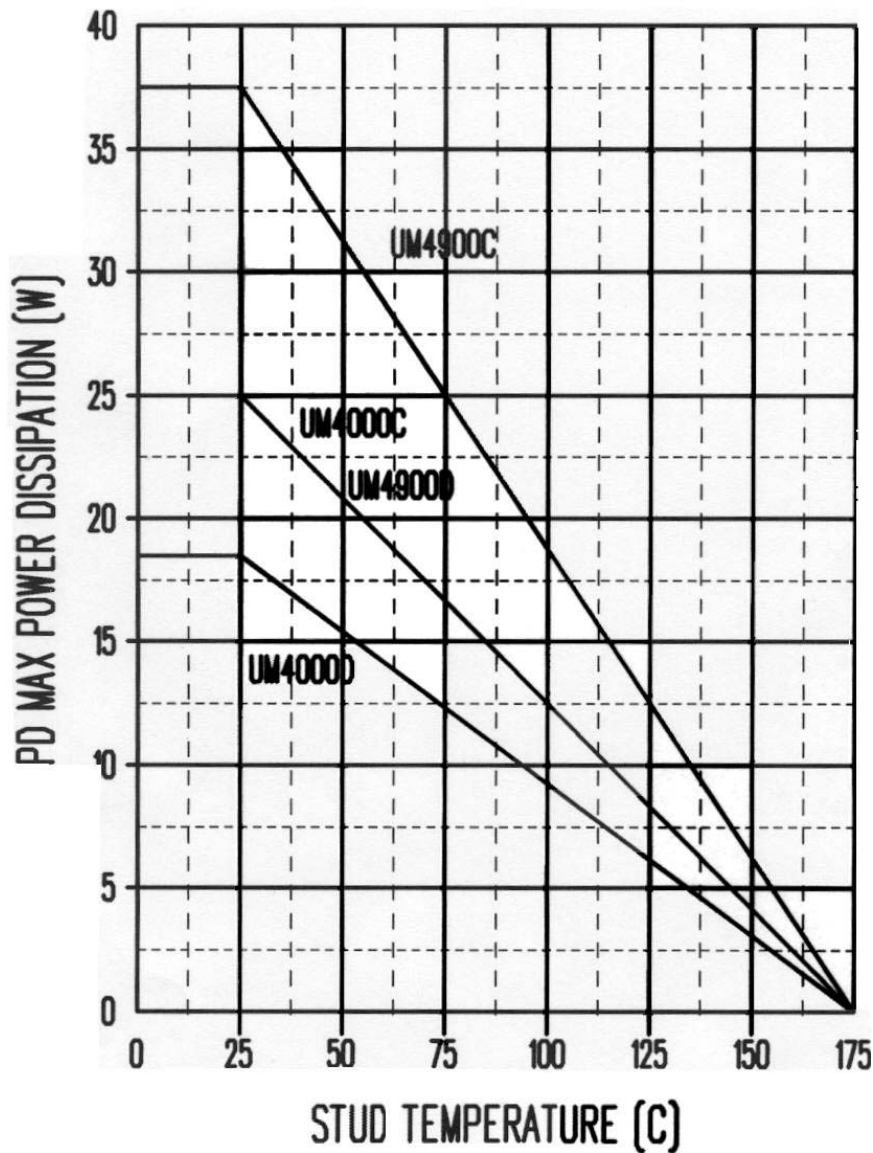


UM4000/UM4900
 TYPICAL

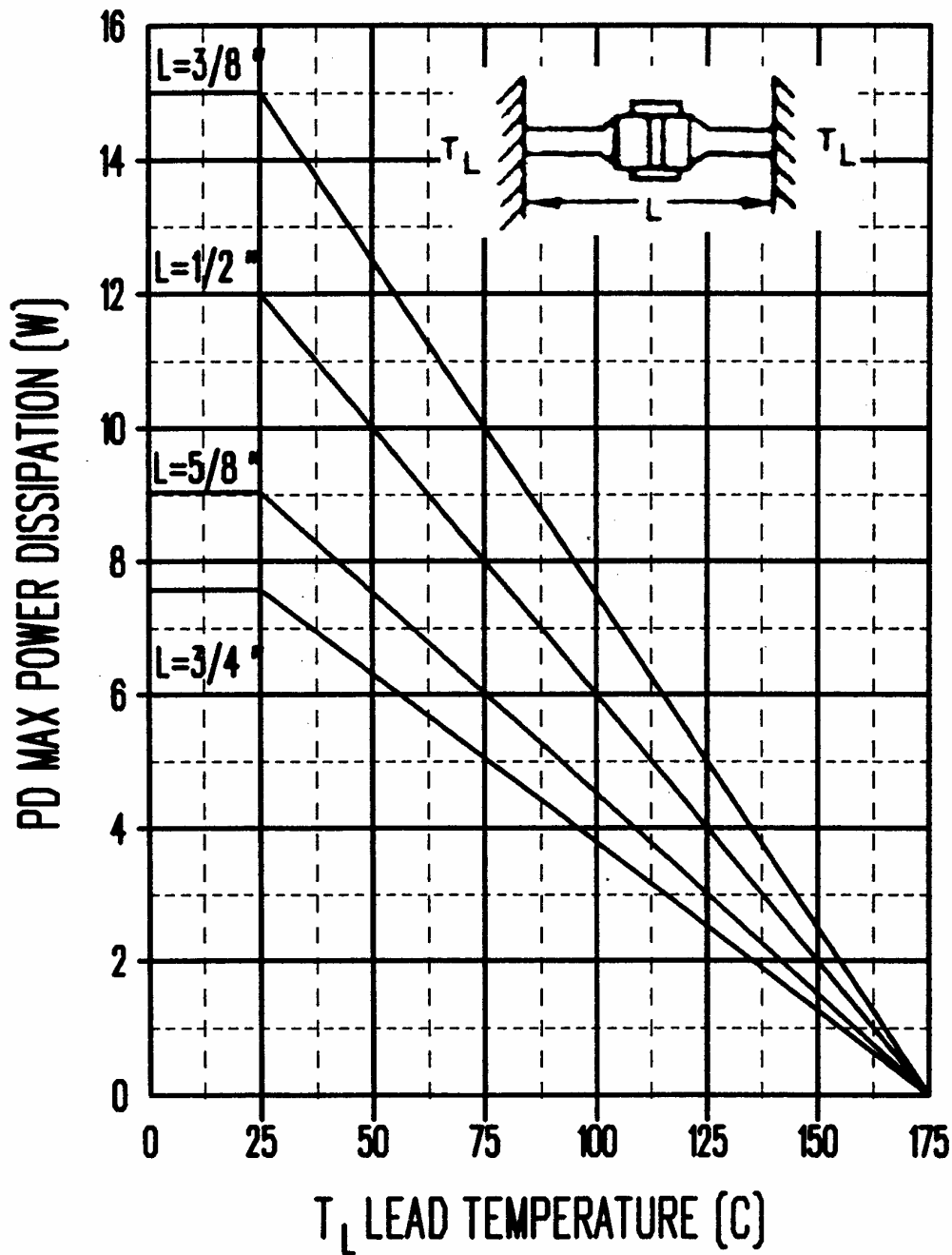


**UM4000/UM4900
TYPICAL**

UM4000/UM4900
POWER RATING TYPICAL

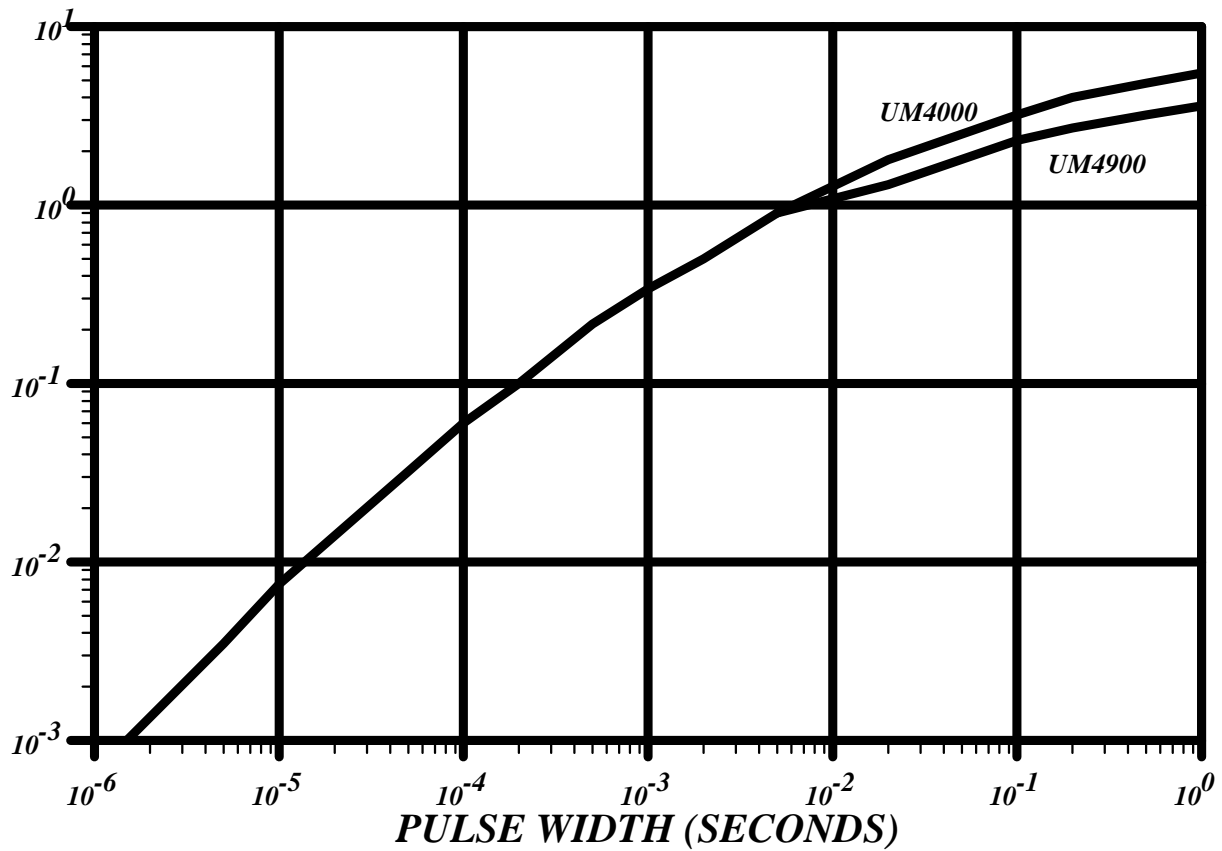


**UM4000/UM4900
POWER RATING TYPICAL**

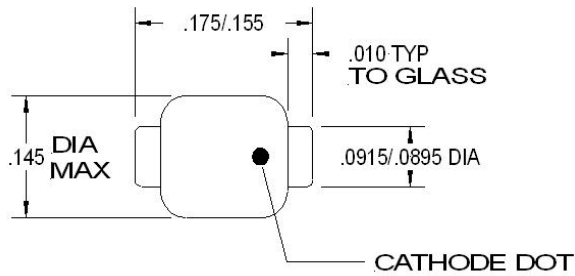
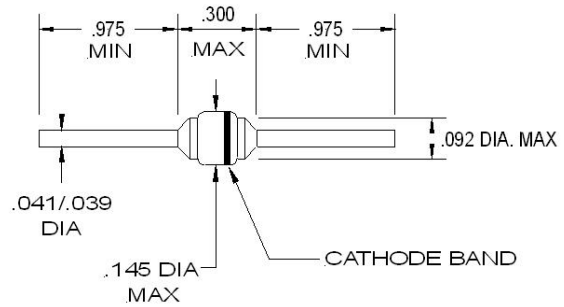
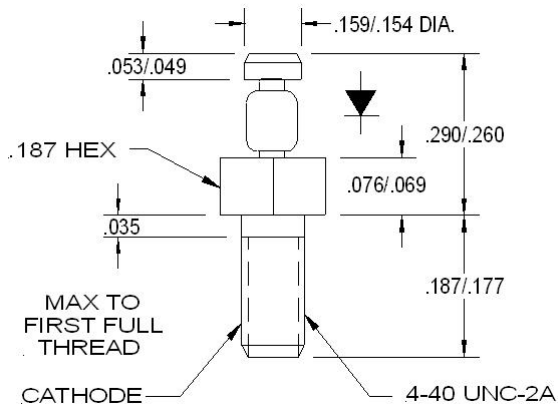
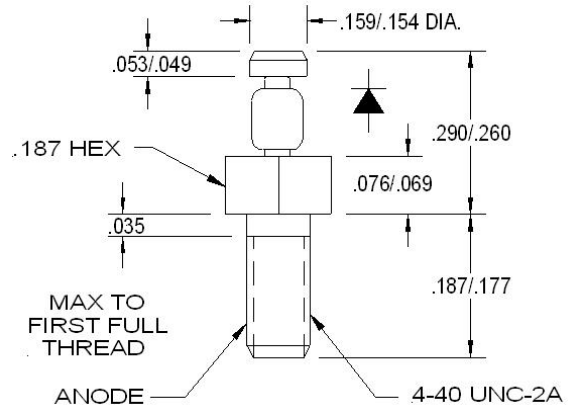


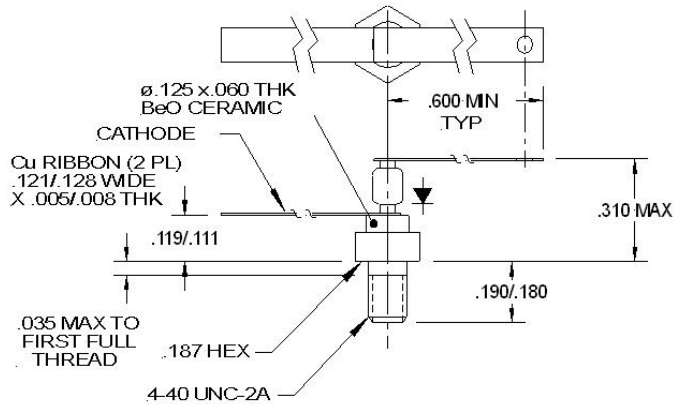
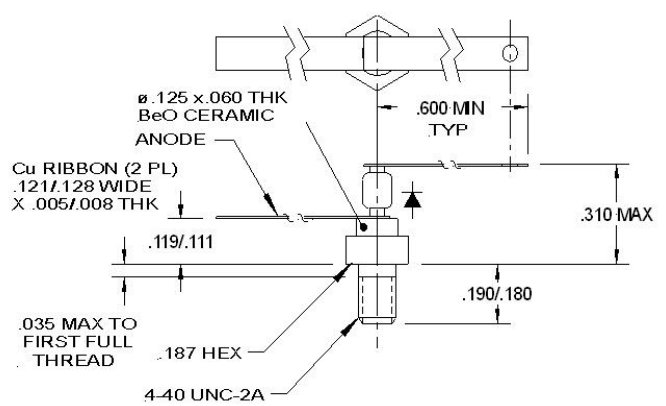
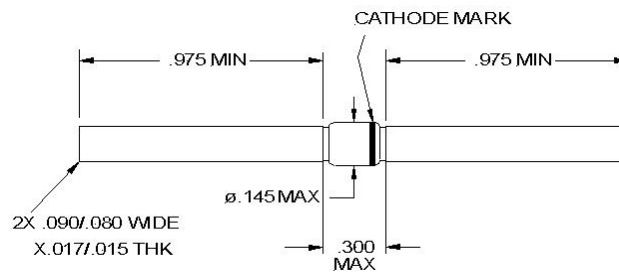
*UM4000/UM4900
TYPICAL*

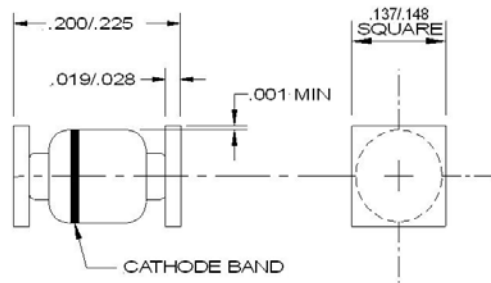
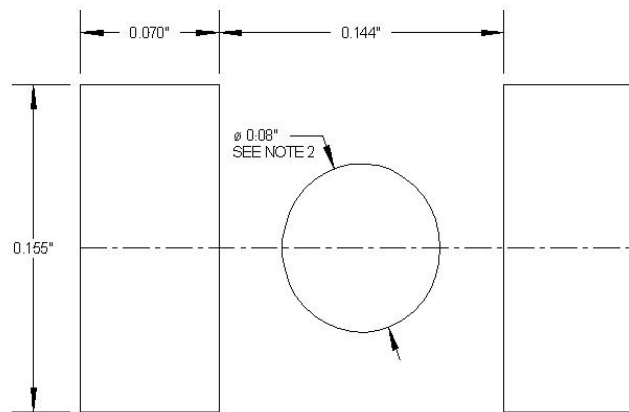
PULSE THERMAL IMPEDANCE (DEGREES C/W)



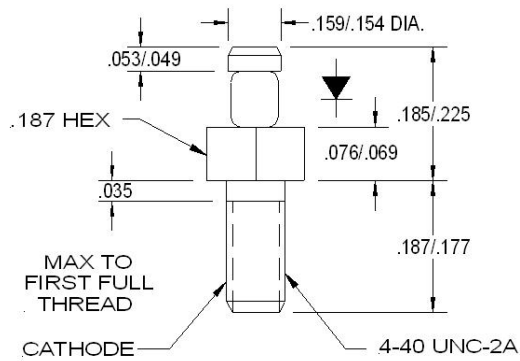
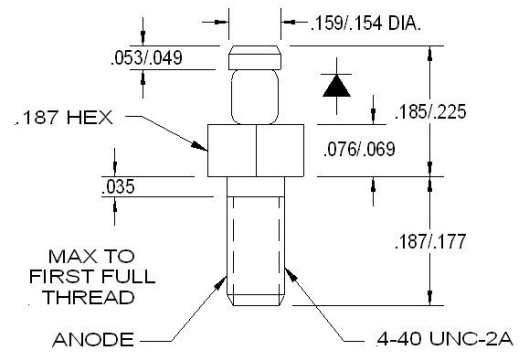
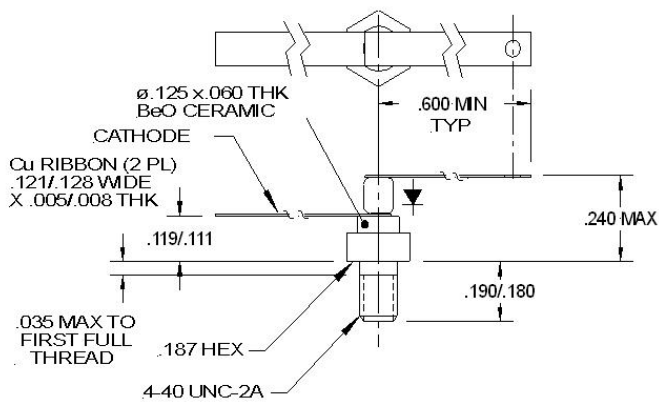
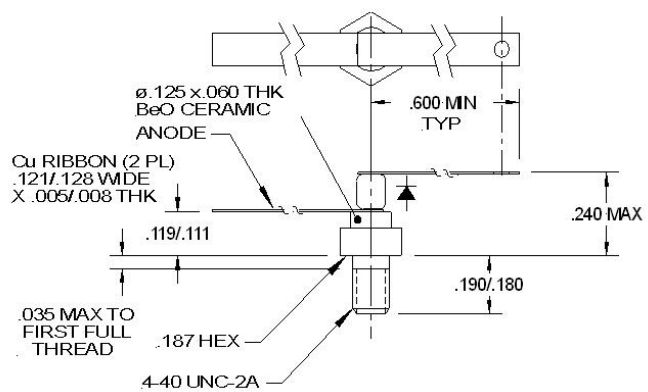
ELECTRICALS

UM4000 STYLE "A"

UM4000 STYLE "B"

UM4000 STYLE "C"

UM4000 STYLE "CR"


UM4000 STYLE "D"

UM4000 STYLE "DR"

UM4000 STYLE "E"


UM4000 STYLE "SM"

UM4000 STYLE "SM" FOOTPRINT

**B SIZE
(STANDARD LARGE
SQUARE END CAP OUTLINE)**
NOTES:

- 1: THESE DIMENSIONS WILL MATCH THE TERMINALS AND PROVIDE FOR ADDITIONAL SOLDER FILLETS AT THE CUT BOARD ENDS AT LEAST AS WIDE AS THE TERMINALS THEMSELVES, ASSUMING ACCURACY OF DEVICE PLACEMENT WITHIN 0.005".
- 2: IF THE MOUNTING METHOD CHOSEN REQUIRES USE OF AN ADHESIVE SEPARATE FROM THE SOLDER COMPOUND, A ROUND (OR SQUARE) SPOT OF CEMENT AS SHOWN SHOULD BE CENTRALLY LOCATED.

UM4900 STYLE "C"

UM4900 STYLE "CR"

UM4900 STYLE "D"

UM4900 STYLE "DR"




UM4000 / UM4900

HIGH POWER PIN DIODES

NOTES: