

The LR1110 is an ultra-low power platform that integrates a long range LoRa® transceiver, multi-constellation GNSS scanner and passive Wi-Fi AP MAC address scanner targeting geolocation applications.

The LR1110 supports LoRa® and (G)FSK modulations for LPWAN use cases. The device is highly configurable to meet different application requirements utilizing the global LoRaWAN® standard or proprietary protocols.

The LR1110 is designed to comply with the physical layer requirements of the LoRaWAN® specification released by the LoRa Alliance®.

Besides the world-wide sub-GHz transceiver capabilities, the device features a very-low power multi-band front-end capable of acquiring several signals of opportunity targeting geo-positioning purposes:

- 802.11b/g/n Wi-Fi Access Point MAC addresses
- GNSS (GPS, BeiDou, geostationary) satellite signals

The acquired information is transmitted using a LPWAN network to a geolocation server. The position of the object is calculated by the geolocation server, which analyzes the transmitted information and correlates the position with data from a geolocation database, enabling a unique balance between low power and performance.



---

## Ordering Information

Part Number	Delivery	Minimum Order Quantity
LR1110IMLTRT	Tape & Reel	3'000 pieces

QFN32 Package, Pb-free, Halogen free, RoHS/WEEE compliant product.

## Revision History

Version	ECO	Date	Applicable to <sup>1</sup>	Changes
1.0	050748	February 2020	Use Case: 01 FW version: 03.02 or later	First Final Release
1.1	050926	March 2020	Use Case: 01 FW version: 03.02 or later	Correction of typos Table 3.4 (IDDTXHP3 and IDDTXHP4) Addition of IDDSL3 Modification of section 4.1.2.3 description

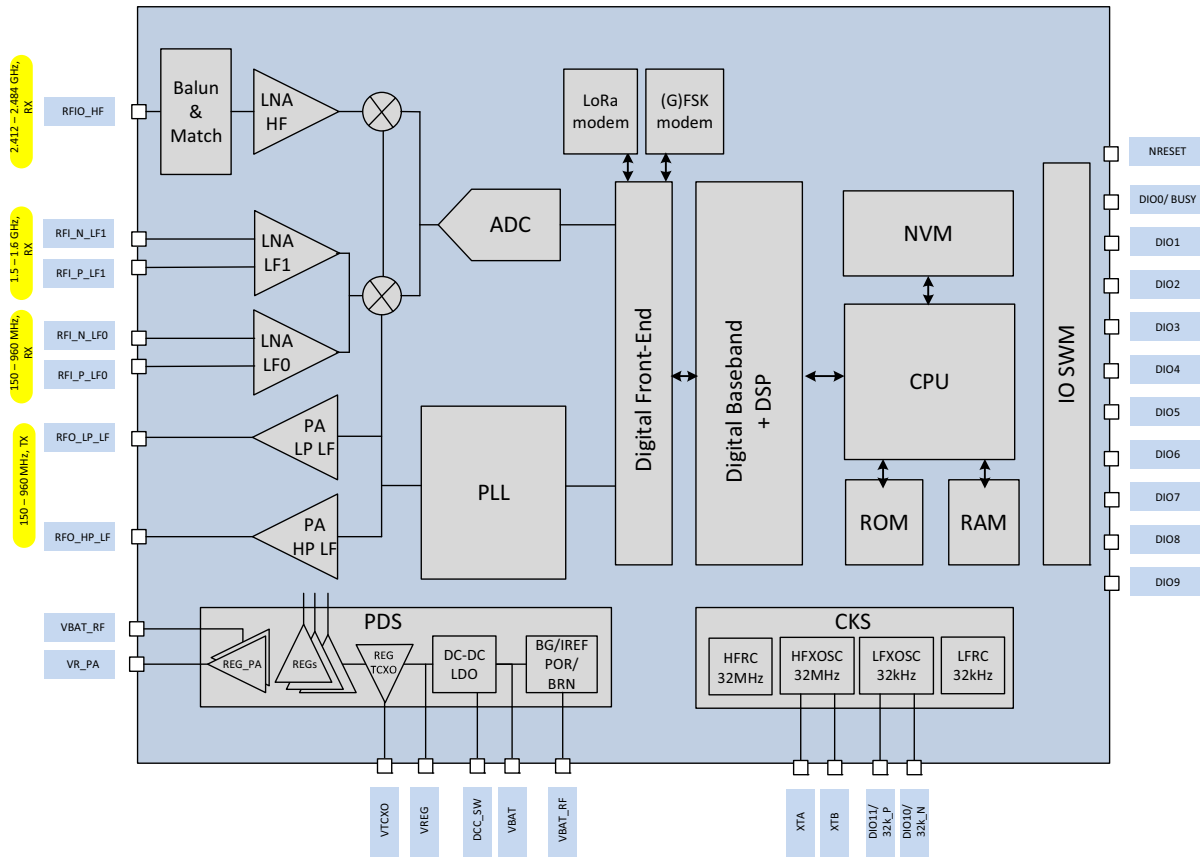
1. Use Case and Version concepts are defined in the LR1110 User Manual, see the *GetVersion* command

1. System Description .....	2
1.1 Simplified Block Diagram .....	2
1.2 Overview .....	2
1.2.1 Low-Power High-Sensitivity LoRa®/(G)FSK Half-Duplex RF Transceiver .....	2
1.2.2 Multi-Purpose Radio Front-End.....	3
1.2.3 Power Management.....	3
1.2.4 Clock Sources.....	3
1.2.5 Digital Subsystem .....	3
1.2.6 Cryptographic Engine.....	4
2. Pin Connection .....	5
3. Specifications .....	7
3.1 Absolute Maximum Ratings .....	7
3.2 Operating Range .....	7
3.3 ESD and Latch-up .....	7
3.4 Electrical Specifications .....	8
3.4.1 Power Consumption .....	8
3.4.2 General Specifications .....	13
3.4.3 Receiver.....	13
3.4.4 Transmitter .....	17
3.5 Reference Oscillator .....	17
3.6 Digital I/O and Interface Specifications .....	19
3.6.1 Digital I/O Specifications .....	19
3.6.2 SPI Interface.....	19
4. Application Information.....	20
4.1 Signals of Opportunity Scanning Modes .....	20
4.1.1 Wi-Fi Passive Scanning .....	20
4.1.2 GNSS Scanning.....	21
4.2 Exiting Sleep Mode .....	24
4.3 Digital Inputs/Outputs .....	24
4.3.1 DIO Configuration.....	24
4.3.2 RF Switch Control .....	25
4.3.3 Reset.....	25
4.3.4 Host Interrupts .....	25
4.4 Firmware Upgrade/ Update .....	25
4.5 Simplified Reference Schematic .....	25
4.6 Example Reference Layout .....	27
5. Package Information .....	28
5.1 Package Outline Drawing .....	28
5.2 Package Marking .....	28
5.3 Land Pattern .....	29
5.4 Reflow Profiles .....	29
5.5 Thermal Information .....	29

# 1. System Description

## 1.1 Simplified Block Diagram

Figure 1-1: LR1110 Simplified Block Diagram



## 1.2 Overview

### 1.2.1 Low-Power High-Sensitivity LoRa<sup>®</sup>/(G)FSK Half-Duplex RF Transceiver

- ◆ Worldwide frequency bands support in the range 150 - 960MHz
- ◆ Low Noise Figure modes for enhanced LoRa/ (G) FSK sensitivity (differential input pins RFI\_P/N\_LF0)
- ◆ High power PA path +22 dBm (output pin RFO\_HP\_LF)
- ◆ High efficiency PA path +15 dBm (output pin RFO\_LP\_LF)
- ◆ Integrated PA regulator supply selector to simplify dual power +15/+22dBm with one board implementation
- ◆ Able to support world-wide multi-region BOM, the circuit adapts to matching network to satisfy regulatory limits
- ◆ Fully compatible with the SX1261/2/8 family and the LoRaWAN<sup>®</sup> standard, defined by the LoRa Alliance.

---

## 1.2.2 Multi-Purpose Radio Front-End

- 150 - 2700 MHz continuous frequency synthesizer range
- GPS/ BeiDou scanning (differential input pins RFL\_P/N\_LF1)
- Wi-Fi passive scanning (using input/output pin RFIO\_HF)
- High bandwidth RX ADC (up to 24 MHz DSB)
- Digital baseband

## 1.2.3 Power Management

- Two forms of voltage regulation (DC-DC or linear regulator, LDO) are available depending upon the design priorities of the application. DC-DC usage is recommended for power efficient operation with the cost of an extra inductor.
- Power On Reset (POR), Brown-out detection and Low Battery indication are supported
- Battery voltage measurement

## 1.2.4 Clock Sources

- 32.768 kHz Low Frequency (LF) RC oscillator, optionally used by the circuit Real Time Clock (RTC)
- 32.768 kHz LF crystal oscillator (XOSC), used for RTC once/if available. It is also possible to use an external 32.768 kHz reference from the host, applied on pin DIO11.
- 32 MHz HF RC oscillator allowing configuration of the device without the need to start the main crystal oscillator
- 32 MHz HF crystal oscillator, HFXOSC, supplied from the LDO/DC-DC, used for radio operation. This main crystal oscillator is also used to calibrate the frequency error of the RC oscillators
- 32 MHz TCXO could be used to supply the main clock to the circuit, its power supply being integrated on-chip by REG\_TCXO, on pin VTCXO. The circuit is able to boot when a TCXO is connected instead of a 32 MHz crystal, however all start-up (POR) calibrations are skipped. The host processor should program the TCXO configuration and re-launch the calibrations before further usage of the chip. The use of a TCXO is mandatory for GNSS scanning operations.

## 1.2.5 Digital Subsystem

The circuit on-boards power-efficient functionalities, with sufficient hardware resources to implement a wide range of applications:

- ◆ Logic to control chip modes, radio front-end, power management and digital interfaces
- ◆ RAM partially retained during sleep mode
- ◆ Non-volatile memory (NVM)
- ◆ Digital IO switch matrix (SWM)
- ◆ Slave serial peripheral interface (SPI)
- ◆ DIO0 used as "BUSY" indicator, indicating that the internal MCU cannot receive any commands from the host controller
- ◆ Hardware de-bounce and event detection (IOCD)
- ◆ Low-power real-time counter (RTC) and watch-dog timer (WDG)
- ◆ LoRa, (G)FSK, modems compatible with the SX126x and SX127x product families

---

## 1.2.6 Cryptographic Engine

- Hardware support for AES-128 encryption/decryption based algorithms
- Handling device parameters such as DevEUI and JoinEUI, as defined by the LoRa Alliance®
- Protects confidential information such as encryption keys against unauthorized access
- Stores NwkKey, AppKey, as defined in the LoRaWAN® standard

## 2. Pin Connection

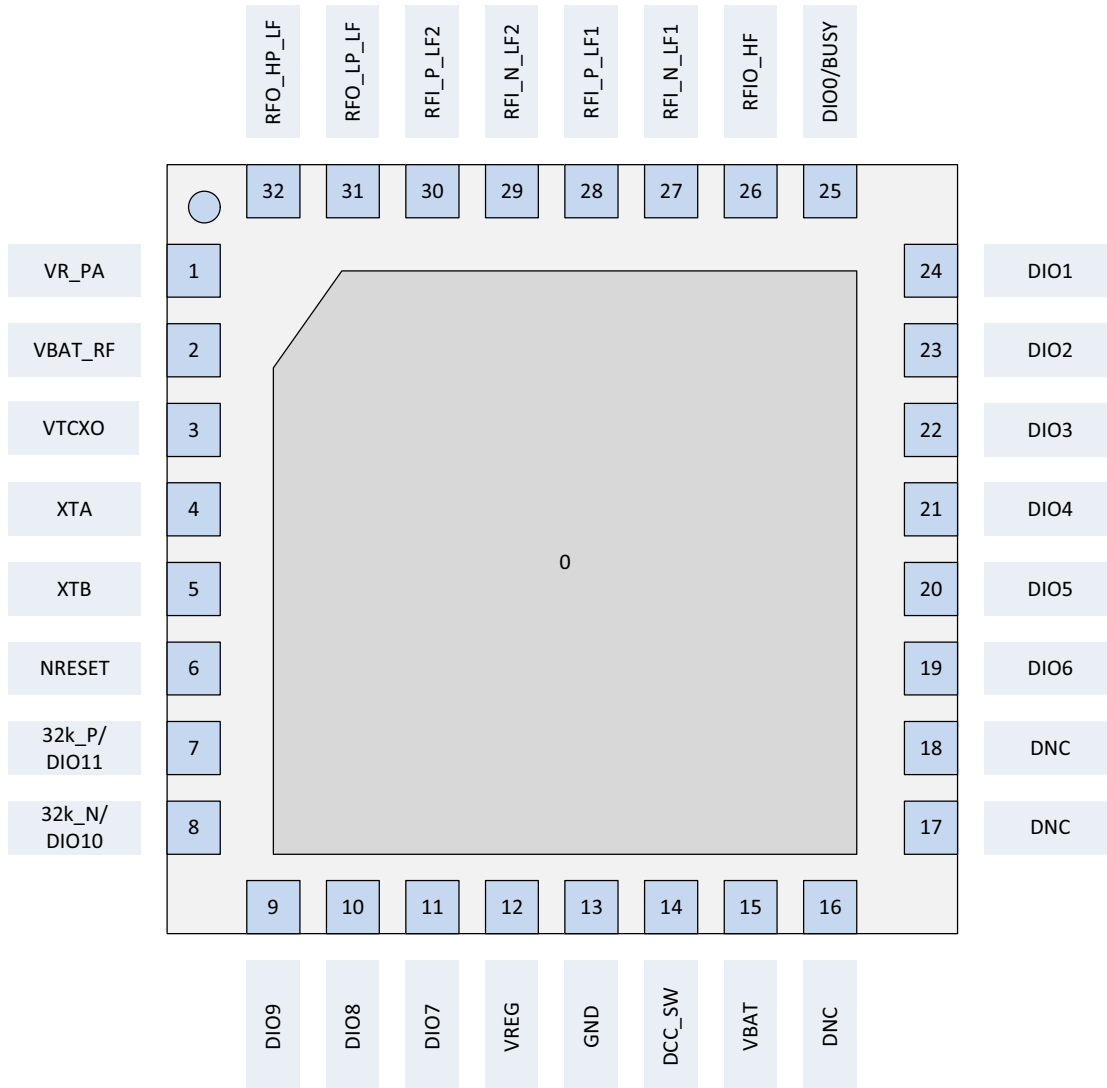
**Table 2-1: LR1110 Pinout**

Pin	Name	Type	Description
0	GND	-	Exposed Ground pad
1	VR_PA	O	Regulated power amplifier supply, for all power amplifiers
2	VBAT_RF	I	Battery supply
3	VTCXO	O	Internally generated supply for external TCXO frequency reference
4	XTA	-	32MHz crystal connection, or external TCXO frequency reference input
5	XTB	-	32MHz crystal connection, or NC in case of external TCXO usage
6	NRESET	I	Reset signal, active low
7	32k_P/ DIO11	I/O	32 kHz crystal connection, or input for 32 kHz reference clock/ Multi-purpose digital I/O
8	32k_N/ DIO10	I/O	32 kHz crystal oscillator connection/ Multi-purpose digital I/O
9	DIO9	I/O	Multi-purpose digital I/O
10	DIO8	I/O	Multi-purpose digital I/O
11	DIO7	I/O	Multi-purpose digital I/O
12	VREG	O	Regulated output voltage from the internal regulator LDO/ DC-DC
13	GND	-	Ground
14	DCC_SW	-	DC-DC Switcher Output
15	VBAT	I	Battery supply
16	DNC	-	Do not connect
17	DNC	-	Do not connect
18	DNC	-	Do not connect
19	DIO6	I/O	Multi-purpose digital I/O
20	DIO5	I/O	Multi-purpose digital I/O
21	DIO4	I/O	Multi-purpose digital I/O
22	DIO3	I/O	Multi-purpose digital I/O
23	DIO2	I/O	Multi-purpose digital I/O
24	DIO1	I/O	Multi-purpose digital I/O
25	DIO0/BUSY	I/O	Multi-purpose digital I/O
26	RFIO_HF	I/O	Receiver input for Wi-Fi passive scanning
27	RFI_N_LF1	I	RF LF receiver input for GNSS scanning
28	RFI_P_LF1	I	RF LF receiver input for GNSS scanning

**Table 2-1: LR1110 Pinout**

Pin	Name	Type	Description
29	RFI_N_LF0	I	RF LF receiver input, sub-GHz operation
30	RFI_P_LF0	I	RF LF receiver input, sub-GHz operation
31	RFO_LP_LF	O	RF transmitter output for the low power PA, sub-GHz operation
32	RFO_HP_LF	O	RF transmitter output for the high power PA, sub-GHz operation

**Figure 2-1: LR1110 Pinout**





## 3. Specifications

### 3.1 Absolute Maximum Ratings

Stresses above the values listed below may cause permanent device failure. Exposure to absolute maximum ratings for extended periods may affect device reliability, reducing product life time.

**Table 3-1: Absolute Maximum Ratings**

Symbol	Description	Min	Typ	Max	Unit
VDDmr	Supply voltage	-0.5	-	3.9	V
Tmr	Temperature	-55	-	125	°C
Pmr	RF Input level	-	-	10	dBm

### 3.2 Operating Range

Operating ranges define the limits for functional operation and parametric characteristics of the device as described in this section. Functionality outside these limits is not guaranteed.

**Table 3-2: Operating Range**

Symbol	Description	Min	Typ	Max	Unit	
VDDop	Supply voltage	1.8	-	3.7	V	
Top	Temperature under bias (ambient)	-40	-	85	°C	
Clop	Load capacitance on digital ports	-	-	20	pF	
ML	Maximum Input power	sub-GHz path	-	-	0	dBm
		GNSS path	-	-	0	dBm
		Wi-Fi path, Wi-Fi b mode	-	-	-10	dBm
		Wi-Fi path, Wi-Fi g mode	-	-	-30	dBm
VSWR	Voltage Standing Wave Ratio	-	-	10:1	-	

### 3.3 ESD and Latch-up

LR1110 is a high performance radio frequency device presenting high ESD and latch-up robustness on all pins. The chip should be handled with all the necessary ESD precautions to avoid any permanent damage.

**Table 3-3: ESD and Latch-up**

Symbol	Description	Min	Typ	Max	Unit
ESD_HBM	Human Body Model, JEDEC standard JESD22-A114, class II	-	-	2.0	kV

**Table 3-3: ESD and Latch-up**

Symbol	Description	Min	Typ	Max	Unit
ESD_CDM	ESD Charged Device Model, JEDEC standard JESD22-C101, class II	-	-	500	V
LU	Latch-up, JEDEC standard JESD78, class II level A	-	-	100	mA

## 3.4 Electrical Specifications

The tables below give the electrical specifications of the LR1110 transceiver under the following conditions, unless otherwise specified:

- VBAT\_RF = VBAT = 3.3 V, Temperature = 25 °C, FXOSC = 32 MHz, crystal oscillator,
- FRF = 915/869 MHz for sub-GHz path FSK and LoRa®,
- FRF = 1.57542 GHz for the GNSS path,
- FRF = 2.45 GHz for the Wi-Fi path,
- All RF impedances on sub-GHz path matched using multi-band reference design, transmit mode output power defined in 50 Ω load, RxBoosted = 1 for LoRa and FSK, differential use of the LNAs (receiver gain levels are referenced in the device's User Guide),
- FSK Bit Error Rate (BER) = 0.1%, 2-level FSK modulation without pre-filtering, BR = 4.8 kb/s, FDA = 5 kHz, BWF = 20 kHz,
- LoRa Packet Error Rate (PER) = 1%, BWL= 125 kHz, packet of 64 bytes, preamble of 8 symbols, error correction code CR=4/5, CRC on payload enabled, explicit header, sub-GHz frequency range,
- GNSS and Wi-Fi sensitivity given for 10% PER,
  - ♦ Wi-Fi b, MPDU size of 272 bits, or 34 Bytes
  - ♦ Wi-Fi g/n, MPDU size of 288 bits, or 36 Bytes
- Blocking Immunity, ACR, and co-channel rejection are given for a single tone interferer and referenced to sensitivity +3 dB, blocking tests are performed with unmodulated interferer,
- All power consumption numbers are given with XTAL mode used, the consumption of the TCXO has to be added,
- All power consumption numbers are given without considering the external LNA on the GPS path,
- All receiver BW are expressed as **Double SideBand (DSB)** throughout this document.

### 3.4.1 Power Consumption

The below tables give the total consumptions of all blocks in the specified modes of the circuit.

**Table 3-4: Basic Modes Power Consumption**

Symbol	Description	Conditions	Min	Typ	Max	Unit
IDDPDN	Supply current in power down mode		-	0.8	-	μA
IDDSL3	Supply current in SLEEP mode, no RTC	8kB RAM retained	-	1.6	-	μA
IDDSL1	Supply current in SLEEP mode	no RAM retained	-	1.6	-	μA
IDDSL3A	LFRC (32 kHz) based RTC	8kB RAM retained	-	1.85	-	μA

**Table 3-4: Basic Modes Power Consumption**

Symbol	Description	Conditions	Min	Typ	Max	Unit
IDDSL2	Supply current in SLEEP mode	no RAM retained	-	1.5	-	μA
IDDSL4A	LFXOSC (32kHz) based RTC	8kB RAM retained	-	1.75	-	μA
IDDSBRLD	Supply current in STBY_RC	HFRG (32MHz) ON, LDO, system clock 16MHz	-	1.25	-	mA
IDDSBXLD	Supply current in STBY_XOSC	HFXOSC ON, LDO	-	1.3	-	mA
IDDSBXDC		HFXOSC ON, DC-DC	-	1.1	-	mA
IDDFSDC	Supply current in Synthesizer mode	DC-DC, system clock 32MHz	-	2.85	-	mA

**Table 3-5: Receive Mode Power Consumption, DC-DC mode used**

Symbol	Description	Conditions	Min	Typ	Max	Unit
IDDRXF1	Supply current in Receive mode	FSK 4.8 kb/s	-	5.4	-	mA
		FSK 4.8 kb/s, RxBoosted = 1	-	7.5	-	mA
IDDRXL1		LoRa® SF12 125 kHz	-	5.7	-	mA
		LoRa® SF12 125 kHz, RxBoosted = 1	-	7.8	-	mA
IDDRXWIF1	Supply current in Wi-Fi scan mode	preamble detect phase	-	11	-	mA
IDDRXWIF2		capture phase	-	10	-	mA
IDDRXWIF3		processing phase	-	3	-	mA
IDDRXGPS1	Supply current in GNSS scan mode	capture phase	-	10	-	mA
IDDRXGPS2		processing phase	-	5	-	mA

**Table 3-6: Transmit Mode Power Consumption<sup>1</sup>**

Symbol	Frequency Band	PA Match	Output Power	Min	Typ	Max	Unit	
IDDTXLP1	868/915 MHz	+14 dBm, LP PA <sup>2</sup>	+15dBm	-	36	-	mA	
IDDTXLP2			+14 dBm	-	28	-	mA	
IDDTXLP3			+10 dBm	-	18.5	-	mA	
IDDTXLP4	434/490 MHz		+15dBm	-	35	-	mA	
IDDTXLP5			+14 dBm	-	28	-	mA	
IDDTXLP6			+10 dBm	-	19	-	mA	
IDDTXHP1		868/915 MHz	+22 dBm, HP PA <sup>3</sup>	+22 dBm	-	118	-	mA
IDDTXHP2	+20 dBm			-	96	-	mA	
IDDTXHP3	+17 dBm			-	73	-	mA	
IDDTXHP4	+14 dBm			-	50	-	mA	
IDDTXHP5	434/490 MHz			+22 dBm	-	100	-	mA
IDDTXHP6				+20 dBm	-	86	-	mA
IDDTXHP7				+17 dBm	-	70	-	mA
IDDTXHP8				+14 dBm	-	45	-	mA

1. Using optimized settings described in the LR1110 User Guide
2. DC-DC mode of the LDO/DC-DC combo is used to supply the entire circuit
3. Battery used to supply the PA, and DC-DC used to supply the rest of the circuit.

**Table 3-7: Wi-Fi Passive Scanning Duration<sup>1</sup>**

Symbol	Description	Conditions	Min	Typ	Max	Unit
TWFBA	Average scanner time to capture 6 MAC addresses by scanning 3 Wi-Fi channels	Wi-Fi 802.11 b, DSSS, DBPSK	-	65-75	-	ms
TWFBP	Wi-Fi 802.11 b	preamble search phase	-	10 <sup>2</sup>	-	ms
TWFB1		capture phase MAC search	-	0.5	-	ms
TWFB2	Wi-Fi 802.11 b	demodulation phase MAC search	-	1.3	-	ms
TWFB3	DBPSK, DR = 1 Mb/s	capture phase country code	-	3.0	-	ms
TWFB4		demodulation phase MAC country code	-	6.2 <sup>3</sup>	-	ms
TWFB5		capture phase MAC search	-	0.5	-	ms
TWFB6	Wi-Fi 802.11 b	demodulation phase MAC search	-	1.8	-	ms
TWFB7	DQPSK, DR = 2Mb/s	capture phase country code	-	3.0	-	ms
TWFB8		demodulation phase MAC country code	-	6.87 <sup>4</sup>	-	ms
TWGNC	Wi-Fi 802.11 g and n	capture phase	-	0.1	-	ms

**Table 3-7: Wi-Fi Passive Scanning Duration<sup>1</sup>**

Symbol	Description	Conditions	Min	Typ	Max	Unit
TWFGD1		BPSK, CR = 1/2		42.7		ms
TWFGD2		BPSK, CR = 3/4		49.8		ms
TWFGD3	Wi-Fi 802.11 g demodulation phase	QPSK, CR = 1/2		39.4		ms
TWFGD4		QPSK, CR = 3/4	-	47.8	-	ms
TWFGD5		16-QAM, CR = 1/2		38.8		ms
TWFGD6		16-QAM, CR = 3/4		47.2		ms
TWNLD1		BPSK, CR = 1/2	-	49.4	-	ms
TWNLD2	Wi-Fi 802.11 n, long guard interval demodulation phase	QPSK, CR = 1/2	-	47.3	-	ms
TWNLD3		QPSK, CR = 3/4	-	56.4	-	ms
TWNLD4		16-QAM, CR = 1/2	-	46.6	-	ms
TWNLD5		16-QAM, CR = 3/4	-	55.7	-	ms
TWNSD1		BPSK, CR = 1/2	-	48.4	-	ms
TWNSD2	Wi-Fi 802.11 n, short guard interval demodulation phase	QPSK, CR = 1/2	-	47.3	-	ms
TWNSD3		QPSK, CR = 3/4	-	56.4	-	ms
TWNSD4		16-QAM, CR = 1/2	-	46.6	-	ms
TWNSD5		16-QAM, CR = 3/4	-	55.7	-	ms

1. Demodulation time given as the calculated average time over 100 packets

2. Preamble detection phase depends significantly on the traffic in the scanner channel, beacon are sent every 102.4 ms

3. Time depends on beacon size

4. Time depends on beacon size

**Table 3-8: Wi-Fi Passive Scanning Average Energy Consumption, DC-DC mode used**

Symbol	Description	Conditions	Min	Typ	Max	Unit
ENWFB1	Average scanner time to capture 6 MAC addresses by scanning 3 Wi-Fi channels	Wi-Fi 802.11 b, DSSS, DBPSK	-	0.5-0.7	-	μWh

**Table 3-9: GNSS Scanning Duration**

Symbol	Description	Conditions	Min	Typ	Max	Unit
TGPSATIC	Indoor classification, GPS	Autonomous mode	-	1.25	-	s
TGPSASIC		Assisted mode	-	0.70	-	s
TGPSAS1	SV scan <sup>1</sup> , GPS, assisted mode	best assistance information <sup>2</sup>	-	1.25	-	s
TGPSAS2		good assistance information <sup>3</sup>	-	1.65	-	s
TGPSAS3		worse assistance information <sup>4</sup>	-	2.00	-	s
TBEIAS1	SV scan, BeiDou, assisted mode	best/good/worse assistance information	-	1.81	-	s

1. Capture of 8 space vehicles (5 with strong signal and 3 with weak signal).
2. With the best assistance information available, the total frequency estimation error is kept below 125 Hz.
3. With good assistance information available, the total frequency estimation error is kept below 375 Hz.
4. With worse assistance information available, the total frequency estimation error is kept below 525 Hz.

**Table 3-10: GNSS Scanning Energy Consumption, DC-DC mode Used<sup>1</sup>**

Symbol	Description	Conditions	Min	Typ	Max	Unit
ENGATIC	Indoor classification, GPS	Autonomous mode	-	6.9	-	μWh
ENGASIC		Assisted mode	-	4.4	-	μWh
ENGPSAS1	SV capture, GPS, assisted mode	best assistance information	-	6.8	-	μWh
ENGPSAS2		good assistance information	-	8.5	-	μWh
ENGPSAS3		worse assistance information	-	10.2	-	μWh
ENBEIAS1	SV capture, BeiDou, assisted mode	best/good/worse assistance information	-	9.5	-	μWh

1. It takes into account only the energy needed by LR1110 to acquire the signals of opportunity and does not include any uplink/ downlink communication to transmit the information to the servers, or receiver Almanac /Ephemeris data.

## 3.4.2 General Specifications

**Table 3-11: General Specifications**

Symbol	Description	Conditions	Min	Typ	Max	Unit
FRSYNTH	Synthesizer frequency range		150	-	2700	MHz
FSTEP	Synthesizer frequency step	$FXOSC / 2^{25}$	-	0.9536	-	Hz
HFOSCCP	32 MHz Crystal oscillator supported off-chip capacitance	Single ended on XTA and XTB	0.2	1	3	pF
OSCTRM1	HF Crystal oscillator trimming step		-	1	-	ppm
LFCLKFR	Frequency of external LF clock applied on pin DIO11		-	32.768	-	kHz
LFCLKRF	Rise/fall time for external LF clock applied on pin DIO11		-	-	5	ns
BRFSK	Bit rate, FSK	Programmable, lowest setting	-	0.6	-	kb/s
	Minimum modulation index is 0.5	Programmable, highest setting	-	300 <sup>1</sup>	-	kb/s
FDAFSK	Frequency deviation, FSK	Programmable	-	0.6	-	kHz
		$FDA + BRF / 2 = < 250\text{kHz}$	-	200	-	kHz
BRLORA	Raw data rate, LoRa <sup>®</sup>	SF12, BWL = 62.5kHz, CR = 1/2	-	76	-	b/s
		SF5, BWL = 500 kHz, CR = 4/5	-	62.5	-	kb/s
BWL	Signal BW, LoRa	Programmable, lowest setting	-	62.5	-	kHz
		Programmable, highest setting	-	500 <sup>2</sup>	-	kHz
SF	Spreading factor coefficient, LoRa chips/symbol = $2^{\wedge}SF$	Programmable, lowest setting	-	5	-	-
		Programmable, highest setting	-	12	-	-
BWF	DSB channel filter BW, FSK, sub-GHz path	Programmable, lowest setting	-	4.8	-	kHz
		Programmable, highest setting	-	467	-	kHz

1. Maximum bit rate is assumed to scale with the RF frequency; example 300 kb/s in the 869/915 MHz frequency bands and only 50 kb/s @150 MHz
2. For RF frequencies below 300 MHz, the LoRa signal BW is limited to maximum 250 kHz, the data rate being reduced accordingly

## 3.4.3 Receiver

**Table 3-12: Receiver Specifications, Sub-GHz Bands**

Symbol	Description	Conditions	Min	Typ	Max	Unit
FRRXLF	RX input frequency	sub-GHz frequency range, LoRa and FSK	150	-	960	MHz
ZINRXLF	RX input impedance	impedance across RFI_N_LF0 / RFI_N_LF0				
		433 MHz	-	29 - j289	-	Ohms
		868 MHz	-	9.4 - j141	-	Ohms
		920 MHz	-	9.5 - j131	-	Ohms

**Table 3-12: Receiver Specifications, Sub-GHz Bands**

Symbol	Description	Conditions	Min	Typ	Max	Unit
PHNLF1	Synthesizer phase noise <sup>1,2</sup> sub-GHz band	100 kHz offset	-	-102	-	dBc/Hz
PHNLF2		1 MHz offset	-	-120	-	dBc/Hz
PHNLF3		10 MHz offset	-	-129	-	dBc/Hz
RXS2F1	Sensitivity 2-FSK	BRF = 0.6 kb/s, FDA = 0.8 kHz, BWF = 4 kHz	-	-123	-	dBm
RXS2F2		BRF = 1.2 kb/s, FDA = 5 kHz, BWF = 20 kHz	-	-122	-	dBm
RXS2F3		BRF = 4.8 kb/s, FDA = 5 kHz, BWF = 20 kHz	-	-117.5	-	dBm
RXS2F4		BRF = 38.4 kb/s, FDA = 40 kHz, BWF = 160kHz	-	-109	-	dBm
RXS2F5		BRF = 250 kb/s, FDA = 125 kHz, BWF = 500kHz	-	-103.5	-	dBm
RXS2F1HP3	Sensitivity 2-FSK, RxBoosted = 1	BRF = 0.6 kb/s, FDA = 0.8 kHz, BWF = 4 kHz	-	-125	-	dBm
RXS2F2HP3		BRF = 1.2 kb/s, FDA = 5 kHz, BWF = 20 kHz	-	-124	-	dBm
RXS2F3HP3		BRF = 4.8 kb/s, FDA = 5 kHz, BWF = 20 kHz	-	-119	-	dBm
RXS2F4HP3		BRF = 38.4 kb/s, FDA = 40 kHz, BWF = 160kHz	-	-111	-	dBm
RXS2F5HP3		BRF = 250 kb/s, FDA = 125 kHz, BWF = 500kHz	-	-105	-	dBm
CCRFSK	Co-channel rejection, FSK		-	-8	-	dB
ACRFSK	Adjacent channel rejection, FSK	Offset = +/- 50 kHz	-	47	-	dB
BIFSK1	Blocking immunity, FSK	BRF = 4.8 kb/s, FDA = 5 kHz, BWF = 20 kHz Offset = +/- 1MHz	-	67	-	dB
BIFSK2		Offset = +/- 2 MHz	-	70	-	dB
BIFSK3		Offset = +/- 10 MHz	-	80	-	dB
IIP3FSK	3rd order input intercept point, FSK	unwanted tones @1 MHz and 1.96 MHz	-	-12	-	dBm
IMRFSK	Image attenuation, sub-GHz path	without IQ calibration with IQ calibration	-	40 50	-	dB dB
RXSL1	Sensitivity LoRa®	BWL = 62.5 kHz, SF = 7	-	-128	-	dBm
RXSL2		BWL = 62.5kHz, SF = 12	-	-142	-	dBm
RXSL3		BWL = 125 kHz, SF = 7	-	-125	-	dBm
RXSL4		BWL = 125 kHz, SF = 12	-	-139	-	dBm
RXSL5		BWL = 250 kHz, SF = 7	-	-122	-	dBm
RXSL6		BWL = 250 kHz, SF = 12	-	-136	-	dBm
RXSL7		BWL = 500 kHz, SF = 7	-	-118	-	dBm
RXSL8		BWL = 500 kHz, SF = 12	-	-132	-	dBm
RXSL1HP7	Sensitivity LoRa®, RxBoosted = 1	BWL = 62.5 kHz, SF = 7	-	-130	-	dBm
RXSL2HP7		BWL = 62.5kHz, SF = 12	-	-144	-	dBm
RXSL3HP7		BWL = 125 kHz, SF = 7	-	-127	-	dBm
RXSL4HP7		BWL = 125 kHz, SF = 12	-	-141	-	dBm
RXSL5HP7		BWL = 250 kHz, SF = 7	-	-124	-	dBm
RXSL6HP7		BWL = 250 kHz, SF = 12	-	-138	-	dBm
RXSL7HP7		BWL = 500 kHz, SF = 7	-	-121	-	dBm
RXSL8HP7		BWL = 500 kHz, SF = 12	-	-134	-	dBm



**Table 3-12: Receiver Specifications, Sub-GHz Bands**

Symbol	Description	Conditions	Min	Typ	Max	Unit
CCRLORA1	Co-channel rejection, LoRa®	SF = 7	-	5	-	dB
CCRLORA2		SF = 12	-	19	-	dB
ACRLORA1	Adjacent channel rejection, LoRa®	Offset = +/- 1.5 x BW_L BW_L = 125 kHz, SF = 7	-	60	-	dB
ACRLORA2		BW_L = 125 kHz, SF = 12	-	73	-	dB
BILORA1	Blocking immunity, LoRa, BW_L = 125kHz	SF =12, offset = +/- 1MHz	-	88	-	dB
BILORA2		SF =12, offset = +/- 2 MHz	-	91	-	dB
BILORA3		SF =12, offset = +/- 10 MHz	-	103	-	dB
BILORA4		SF =7, offset = +/- 1MHz	-	74	-	dB
BILORA5		SF =7, offset = +/- 2 MHz	-	77	-	dB
BILORA6		SF =7, offset = +/- 10 MHz	-	90	-	dB
FERR	Max. tolerated frequency offset between Tx and Rx, no sensitivity degradation	SF5 to SF12 All bandwidths, ±25% of BW. The tighter limit applies (see below)	-	+/- 25%	-	BW_L
	Max. tolerated frequency offset between Tx and Rx, no sensitivity degradation	SF12	-50	-	50	ppm
		SF11	-100	-	100	ppm
	SF10	-200	-	200	ppm	
FDRIFT	LoRa frequency drift tolerance	For sensitivity degradation below 3 dB BW_L=125kHz, SF12, LowDataRateOptimize = 1	-	-	120	Hz/s

1. Phase Noise specifications are given for the recommended PLL bandwidth to be used for the specific modulation/ bit rate
2. Phase Noise is not constant over frequency, the topology of VCO + DIV used, for two frequencies close to each other, the phase noise could change significantly; the specification covers the worse value

**Table 3-13: Receiver Specifications, GNSS Scanner<sup>1</sup>**

Symbol	Description	Conditions	Min	Typ	Max	Unit
FRRXGPS	RX input frequency	GPS	-	1.57542	-	GHz
		BeiDou	-	1.5611	-	GHz
ZINRXGPS	RX input impedance	impedance across RFI_N_LF1 / RFI_P_FL1	-	17.6 - j76.5	-	Ohms
RXSGPS1E	GNSS sensitivity	GPS, indoor classification, and strong signal SV capture	-	-134	-	dBm
RXSGPS2E		GPS, weak signal SV capture	-	-141	-	dBm
RXSBE1E		BeiDou, strong signal SV capture	-	-131	-	dBm
RXSBE2E		BeiDou, weak signal SV capture	-	-138	-	dBm

1. All sensitivity numbers are given using the external LNA listed in the reference design.

**Table 3-14: Receiver Specifications, Wi-Fi Passive Scanner**

Symbol	Description	Conditions	Min	Typ	Max	Unit
FRRXWF	RX input frequency	Wi-Fi channels	2412	-	2484	MHz
RXSWFB1	Wi-Fi sensitivity for Wi-Fi 802.11 b, DSSS	DBPSK, DR = 1Mb/s	-	-94	-	dBm
RXSWFB2		DQPSK, DR = 2 Mb/s	-	-91	-	dBm
RXSWFG1	Wi-Fi sensitivity for Wi-Fi 802.11 g, OFDM, 20MHz channel spacing	BPSK, CR = 1/2, DR = 6 Mb/s	-	-88	-	dBm
RXSWFG2		BPSK, CR = 3/4, DR = 9 Mb/s	-	-85	-	dBm
RXSWFG3		QPSK, CR = 1/2, DR = 12 Mb/s	-	-87	-	dBm
RXSWFG4		QPSK, CR = 3/4, DR = 18 Mb/s	-	-84	-	dBm
RXSWFG5		16-QAM, CR = 1/2, DR = 24 Mb/s	-	-82	-	dBm
RXSWFG6		16-QAM, CR = 3/4, DR = 36 Mb/s	-	-78	-	dBm
RXSWFG7	Wi-Fi sensitivity for Wi-Fi 802.11 n <sup>1</sup> , OFDM, 20MHz channel spacing, long guard interval	BPSK, CR = 1/2, DR = 6.5 Mb/s	-	-87	-	dBm
RXSWFG8		QPSK, CR = 1/2, DR = 13 Mb/s	-	-85	-	dBm
RXSWFG9		QPSK, CR = 3/4, DR = 19.5 Mb/s	-	-81	-	dBm
RXSWFG10		16-QAM, CR = 1/2, DR = 26 Mb/s	-	-80	-	dBm
RXSWFG11	16-QAM, CR = 3/4, DR = 39 Mb/s	-	-75	-	dBm	
RXSWFG12	Wi-Fi sensitivity for Wi-Fi 802.11 n <sup>1</sup> , OFDM, 20MHz channel spacing, short guard interval	BPSK, CR = 1/2, DR = 7.2 Mb/s	-	-87	-	dBm
RXSWFG13		QPSK, CR = 1/2, DR = 14.4 Mb/s	-	-85	-	dBm
RXSWFG14		QPSK, CR = 3/4, DR = 21.7 Mb/s	-	-82	-	dBm
RXSWFG15		16-QAM, CR = 1/2, DR = 28.9 Mb/s	-	-80	-	dBm
RXSWFG16		16-QAM, CR = 3/4, DR = 43.3 Mb/s	-	-76	-	dBm
IIP3WF	3rd order input intercept point	unwanted tones @22 MHz and 24 MHz offsets	-	-28	-	dBm
		unwanted tones @25 MHz and 48 MHz offsets	-	-15	-	dBm
ACRWFB	Selectivity, at sensitivity + 3dB, for 50% PER	Wi-Fi b 1Mb/s, 25 MHz offset	-	51	-	dB
ACRWFG		Wi-Fi g 6 Mb/s, 25 MHz offset	-	24	-	dB

1. 2.4 GHz Wi-Fi n only, mixed mode

### 3.4.4 Transmitter

**Table 3-15: Transmitter Specifications, sub-GHz Path**

Symbol	Description	Conditions	Min	Typ	Max	Unit
TXOPLP	Maximum TX power	LP PA	+12	+15	-	dBm
TXOPHP		HP PA	+19	+22	-	dBm
TXDRPLF1	Drop in maximum TX power vs. VDD (1.8 to 3.7V)	LP PA operating under DC-DC or LDO	-	0.5	-	dB
TXDRPLF2		HP PA, operating under battery	-	6	-	dB
TXPRNGLF	TX power range	programmable in steps of -1dB from maximum TX power	-	31	-	steps
TXACCLF	TX output power step accuracy		-	+/- 2	-	dB
TXRMPLF	Power amplifier ramping time	Programmable, lowest step	-	16	-	μs
		Programmable, highest step	-	304	-	μs

### 3.5 Reference Oscillator

**Table 3-16: 32 MHz Crystal Specifications**

Symbol	Description	Conditions	Min	Typ	Max	Unit
FXOSCHF	Crystal oscillator frequency		-	32	-	MHz
CLOADHF	Crystal loading capacitance	differential	9.5	10	10.5	pF
COXTALHF	Crystal shunt capacitance		0.3	0.6	2	pF
RSXTALHF	Crystal series resistance		-	30	60	Ω
CMXTALHF	Crystal motional capacitance		1.3	1.89	2.5	fF
DRIVEHF	Drive level		-	-	100	μW
FRTOLHF	Crystal frequency accuracy	initial	-	-	+/- 10	ppm
		over temperature (-20 to 70 °C)	-	-	+/- 10	ppm
		aging over 10 years	-	-	+/- 10	ppm

**Table 3-17: 32 MHz TCXO Regulator Specifications**

Symbol	Description	Conditions	Min	Typ	Max	Unit
CVTCXO	External decoupling capacitor for REG_TCXO	X5R type recommended	70	100	130	nF
RVTCXO	Equivalent series resistance for CVTCXO		0.1	-	1	Ohm

**Table 3-17: 32 MHz TCXO Regulator Specifications**

Symbol	Description	Conditions	Min	Typ	Max	Unit
VTCXO	Regulated voltage range for TCXO voltage supply, VDDop > VTCXO + 200 mV	RegTcxoTune = 000	-	1.6	-	V
		RegTcxoTune = 001	-	1.7	-	V
		RegTcxoTune = 111	-	3.3	-	V
ILTCXO	Load current for TCXO regulator		-	1.5	4	mA
ATCXO	Amplitude voltage for external TCXO applied to XTA pin	AC coupled through 10pF DC-cut series with 220Ohms	0.4	0.6	1.2	Vpk-pk

**Table 3-18: 32 kHz Crystal Specifications**

Symbol	Description	Conditions	Min	Typ	Max	Unit
FXOSCLF	Crystal oscillator frequency		32400	32768	33100	Hz
CLOADLF	Crystal loading capacitance	differential	-	9.0	-	pF
COXTALLF	Crystal shunt capacitance		0.7	1.1	2	pF
RSXTALLF	Crystal series resistance		25	45	100	kΩ
CMXTALLF	Crystal motional capacitance		1.5	4.7	8	fF
DRIVELF	Drive level		0.5			μW
FRTOLLF	Crystal frequency accuracy	initial	-	-	+/-20	ppm
		over temperature (-20 to 70 °C)	-	-	+/-180	ppm
		aging over 10 years	-	-	+/-3	ppm

## 3.6 Digital I/O and Interface Specifications

### 3.6.1 Digital I/O Specifications

**Table 3-19: Digital I/O and NRESET Specifications**

Symbol	Description	Conditions	Min	Typ	Max	Unit
VIH	Input High Voltage		0.7*VBAT	-	VBAT+0.3	V
VIL	Input Low Voltage		-0.3		0.3*VBAT	V
VOH	Output High Voltage	$I_{max} = 2.5 \text{ mA}$	0.9*VBAT		VBAT	V
VOL	Output Low Voltage	$I_{max} = -2.5 \text{ mA}$	0		0.1*VBAT	V

### 3.6.2 SPI Interface

The SPI interface gives access to the configuration register via a synchronous full-duplex protocol corresponding to CPOL = 0 and CPHA = 0 in Motorola/Freescale nomenclature. Only the slave side is implemented. A transfer is always started by a falling edge of NSS. MISO is high impedance when NSS is high. The SPI runs on the external SCK clock to allow high speed up to 16 MHz.

All timings in following table are given for a max load cap of 10 pF.

**Table 3-20: SPI Timing Requirements**

Symbol	Description	Min.	Typ.	Max.	
t1	NSS falling edge to SCK setup time	31.25	-	-	ns
t2	SCK period	61.5	-	-	ns
t3	SCK high time	31.25	-	-	ns
t4	MOSI to SCK hold time	5	-	-	ns
t5	MOSI to SCK setup time	15	-	-	ns
t6	NSS falling to MISO delay	0	-	15	ns
t7	SCK falling to MISO delay,	0	-	15	ns

## 4. Application Information

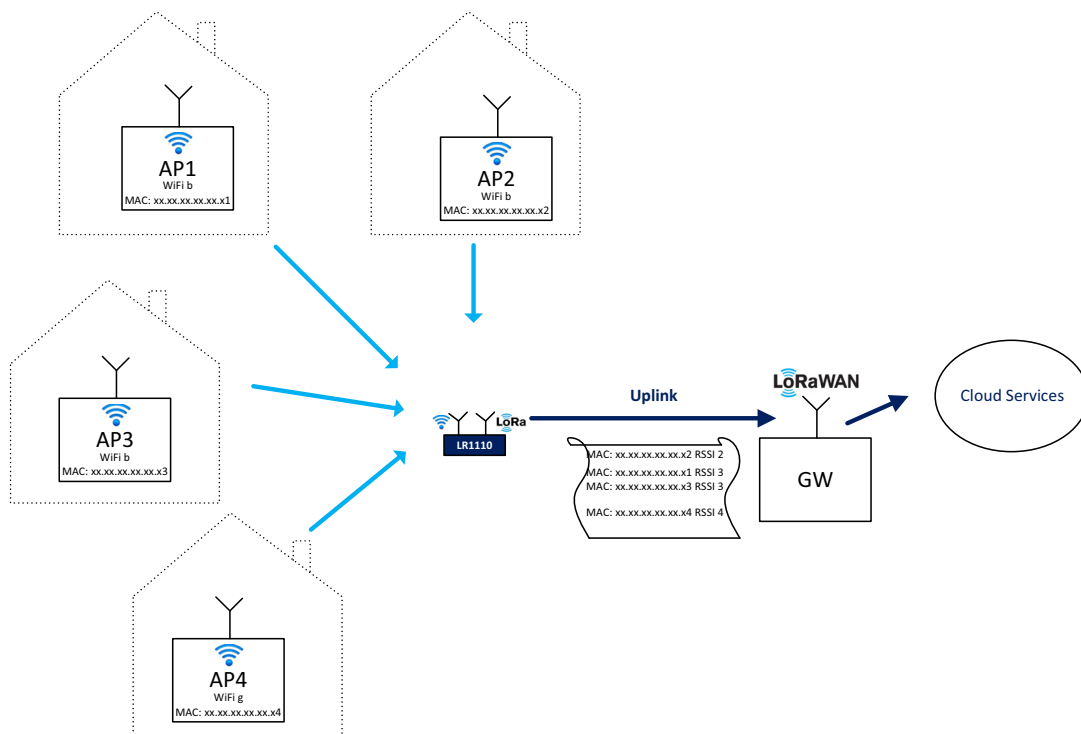
### 4.1 Signals of Opportunity Scanning Modes

This section gives more insight into the scanning modes available in the LR1110.

#### 4.1.1 Wi-Fi Passive Scanning

The LR1110 is able to discover the Wi-Fi b/g/n access points available in the vicinity of the device, and extract MAC addresses allowing to geolocate the device. The objective is to obtain at least 2 MAC addresses, which can be used to position the device, after they have been sent to an online Wi-Fi lookup service.

**Figure 4-1: Wi-Fi Passive Scanning Principle**



To be power efficient, only a small portion of the Wi-Fi packets containing the MAC address information will be captured and demodulated. The Wi-Fi passive scanning is composed of a sequence of three phases: preamble search, capture and demodulation, providing one MAC address, if any is found. To obtain additional MAC addresses the three-phase sequence has to be repeated. To preserve power, the RF front-end will be turned off during the demodulation phase.

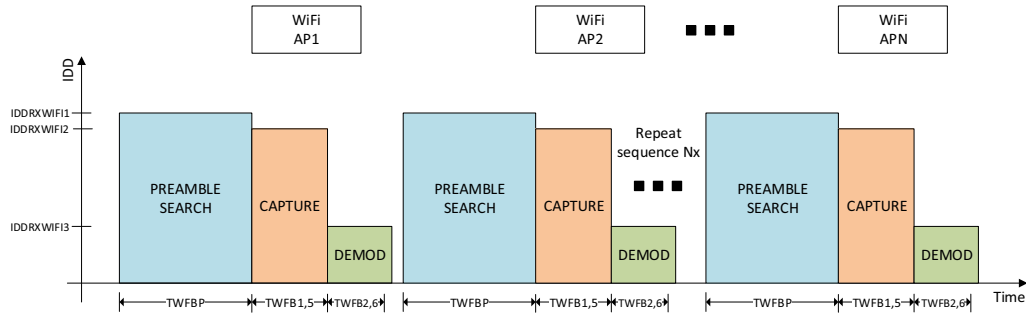
The MAC address is the only mandatory information required to find the location of the device. The associated signal level, RSSI, is also extracted and can be sent optionally to the solver to enhance the accuracy.

The Wi-Fi passive scanning implemented in LR1110 can also extract the country code information of an access point, contained in the beacon or probe response.

A single Wi-Fi passive scan spans three phases:

1. The preamble search phase, the device will stay in RX mode until the start of a preamble is detected
2. The capture phase, the device is capturing the part of the packet containing the required information
3. The demodulation phase, the required information is demodulated

**Figure 4-2: Wi-Fi b Passive Scanning Sequence**

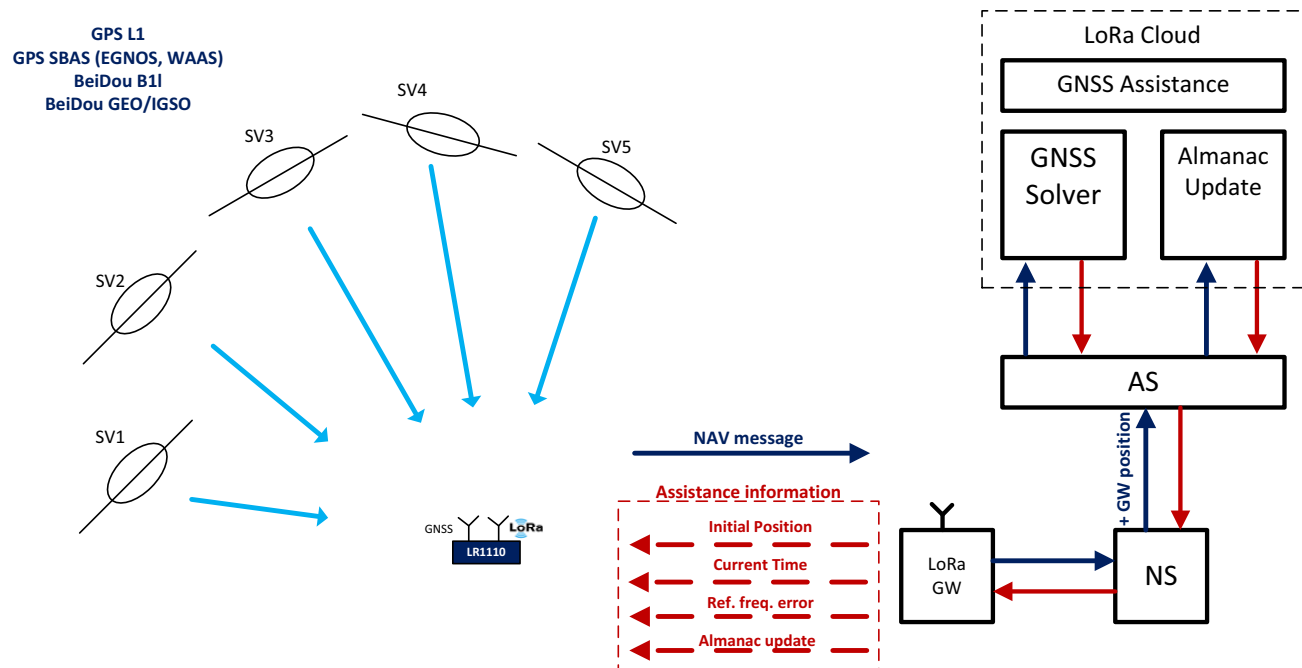


The preamble search duration depends on the traffic in the channel. For busy channels, a preamble will quickly be detected. For channels where only an AP signal is present, and little traffic is generated, the preamble search can be as long as the beacon interval set for that specific AP (nominally set to 102.4 ms).

## 4.1.2 GNSS Scanning

The LR1110 features a fast and low-power GNSS scanner. The device captures a short portion of the signal broadcast by the GNSS satellites, and extracts the information required to calculate the device position - the pseudoranges. This information is aggregated into a NAV message which can be sent to a back-end system to compute the device position.

**Figure 4-3: GNSS Scanning Principle, Assisted Mode**



---

LR1110's GNSS scanner hardware can support the following constellations:

- GPS L1 + GPS geostationary SBAS: EGNOS and WAAS
- BeiDou B1 + BeiDou geostationary GEO/IGSO

The search of space vehicles is a three-dimensional search challenge: the satellite ID, the frequency offset due to Doppler shift, and the code phase are unknown. Providing assistance information to the LR1110 will minimize the search space, reducing the capture time and the energy spent. To accelerate the detection of SVs, the following assistance parameters can be provided to the LR1110:

- A rough estimate of the initial position of the device
- The current time
- The frequency reference error to be compensated
- A recent version of the Almanac, required to estimate the position of the visible SVs, at the time and location of the scan

All these parameters have a contribution to the total error of the Doppler estimation for each satellite:

- 200 km error on the initial position is equivalent to 200 Hz increase of the frequency search space
- +/-30 seconds of error on the time estimation are equivalent to 20 Hz increase of the frequency search space
- 0.1 ppm frequency reference error is equivalent to 150 Hz increase of the frequency search space
- Every month of age of the Almanac contributes to 62 Hz increase of the frequency search space

Once a short period of the satellite broadcast signal is captured, the detection of space vehicles on the LR1110 is done in two main phases:

- a faster search of the available SVs received by the device with a strong signal
- a more in depth search of the available SVs received by the device with a weak signal

Besides providing the pseudo-ranges of those satellites received with strong signal, the first phase also estimates the device's frequency offset and defines the frequency search space for the second phase.

The second phase implies a search centred on the frequency offset resulting from the Doppler error and the frequency reference error on the device. With the best assistance information, the search can be limited to a window of only 125 Hz. With an assistance information less precise, for instance if the ephemeris data is out of date, the search window is extended in steps of +/- 125 Hz, increasing the search time and the energy consumption.

LR1110 can take into account Almanac information to speed up the GNSS signal processing step. The Almanac parameters contain coarse orbital parameters which describe the Space Vehicles motion in space. Together with a coarse estimate of time and position, the Almanac can be used to exclude irrelevant space vehicles and reduce the search window for the Doppler error search.

All assistance information transferred to the LR1110 is tailored for an LPWAN use-case, which mean low-throughput and low-power.

The GNSS scanner of the LR1110 has two modes of operations: autonomous and assisted.

#### 4.1.2.1 Autonomous GNSS Scanning

The LR1110 will not require any assistance information in this mode. A fast search of all SVs with strong signal in the selected constellation is performed, and all the SVs received with a signal better than RXSGPS1E are detected.



---

This mode can be used to determine if the device stands indoor or outdoor; in case no SV with strong signal is detected, the application concludes that the device is indoor. Therefore the search of weak signals, which is more time and energy consuming, can be discarded; the search of other signals of opportunity, like Wi-Fi, might be launched instead.

### 4.1.2.2 Assisted GNSS Scanning

Based on the assistance information, the LR1110 will build a list of 10 to 12 SVs that it should look for at the position of the device and the actual time.

Two different assisted modes are implemented:

- Assisted GNSS scanning “low power”:

A first search of strong signal satellites within the list of visible ones will be made. If at least one satellite is found in this step, the search will continue for satellites with weaker signals. Otherwise the search will stop. This mode minimizes the energy consumption and can also be used also as indoor/ outdoor detection method, in a more efficient way than the autonomous GNSS scanning mode. The indoor classification is decided after searching 10-12 SVs, versus 32-35 in Autonomous scanning mode.

- Assisted GNSS scanning “best effort”:

A first search of SVs with strong signals, within the list of visible satellites, will be made. Even if no satellite is found in the first phase, the search will continue for satellites with weaker signals. This mode is to be used in difficult environments where it may be possible to find SVs, at the expense of a longer search phase.

The scanner uses a sequence of capture and processing phases. To preserve power, the RF front-end will be turned off during the processing phases.

### 4.1.2.3 GNSS Geolocation System Overview

The LR1110 features a GNSS receiver allowing a fast and energy efficient outdoor geolocation. The LR1110's GNSS Geolocation System achieves low energy geolocation by offloading time- and compute-intensive operations to back-end system components. In particular, the following three back-end system components are needed to operate the LR1110's GNSS Geolocation System:

- GNSS Position Solving Component: the LR1110 does not resolve the full position on-device. Instead, the measurements from GNSS signals are combined into a binary message (the NAV message) and expected to be sent via any communication channel to the GNSS Position Solver backend component for final position calculation. This component is required in all operation modes.
- GNSS Almanac Update Component (required in assisted mode): the LR1110 is able to reduce the GNSS scanning time by taking into account coarse orbital parameters for different GNSS constellations (the Almanac parameters). In conjunction with a coarse time and position estimate, the LR1110 uses this information to optimize the search and acquisition of GNSS signals. Over time, the true satellite positions diverge from the fixed Almanac parameters, which requires them to be updated. This can be achieved by a back-end component which estimates the quality of the almanac image on device and issues updates when needed. This component is required if GNSS assisted mode is used.
- GNSS Assistance Component (required in assisted mode): in order to operate GNSS Geolocation System in assisted mode, coarse estimates of time and position must be provided to the LR1110. This information can be obtained in a variety of ways including application-level knowledge. In LoRaWAN the Application Layer Clock Synchronization protocol is suited to retrieve assistance time information. The assistance position information can generally be derived from past position solutions.

LoRaCloud offers these components in a single, easy to use, managed service as part of the Device and Application Services (DAS). Visit [www.loracloud.com](http://www.loracloud.com) for more information.

---

## 4.2 Exiting Sleep Mode

The LR1110 exits the lowest-power Sleep mode with:

- A falling edge on the NSS signal
- A RTC Timeout configured in the SetSleep() command, as an option

Implementation options are detailed in the User Guide, and both can be combined.

## 4.3 Digital Inputs/Outputs

The LR1110 features 12 DIO pins, dedicated to host or sensors/peripherals communication, interruption handling and external RF switches or LNA control.

### 4.3.1 DIO Configuration

LR1110 features a DIO switch matrix (SWM), allowing a reconfiguration of the DIOs depending on the application requirements. For a transceiver use case, the LR1110 is controlled by a host MCU, hence the DIOs are dedicated to host communication. In order to reduce the constraints on the MCU pin count, five DIOs can be used to control external RF switches or LNAs.

**Table 4-1: LR1110 DIO Mapping**

Pin	I/O Name	Function
6	NRESET	NRESET
7	32k_P/ DIO11	32k_P/ NC
8	32k_N/ DIO10	32k_N/ RFSW4
9	DIO9	IRQ
10	DIO8	RFSW3
11	DIO7	RFSW2
19	DIO6	RFSW1
20	DIO5	RFSW0
21	DIO4	SPI MISO
22	DIO3	SPI MOSI
23	DIO2	SPI SCK
24	DIO1	SPI NSS
25	DIO0/ BUSY	BUSY

---

## 4.3.2 RF Switch Control

The LR1110 is able to control up to 5 external RF switches or LNAs on the Wi-Fi, GNSS, and Sub-GHz RF paths, reducing the number of host controller IOs required for the application. This allows selecting application MCUs with a reduced pin count or a smaller footprint, and therefore designing highly integrated solutions. The polarity of the RF switch control signals can be set in each radio mode. By default no DIO is used as RF switch control line, all RF switch outputs are kept in High-Z state.

## 4.3.3 Reset

A complete restart of the LR1110 internal firmware can be issued on request by toggling the NRESET pin. It will be automatically followed by the standard calibration procedure and any previous context will be lost. The pin should be held low for more than 100  $\mu$ s for the reset to happen.

## 4.3.4 Host Interrupts

LR1110 offers 24 interrupt sources, allowing the host to react to special events in the LR1110 system without the need to poll registers, in order to design power optimized applications.

Interrupts to the host are signalled through one (or more) IRQ lines configured on the DIOs, and can be masked or cleared using dedicated commands.

The interrupt status can be read by the host through the 32-bit interrupt status register. They can be cleared by writing a 1 to the respective bit.

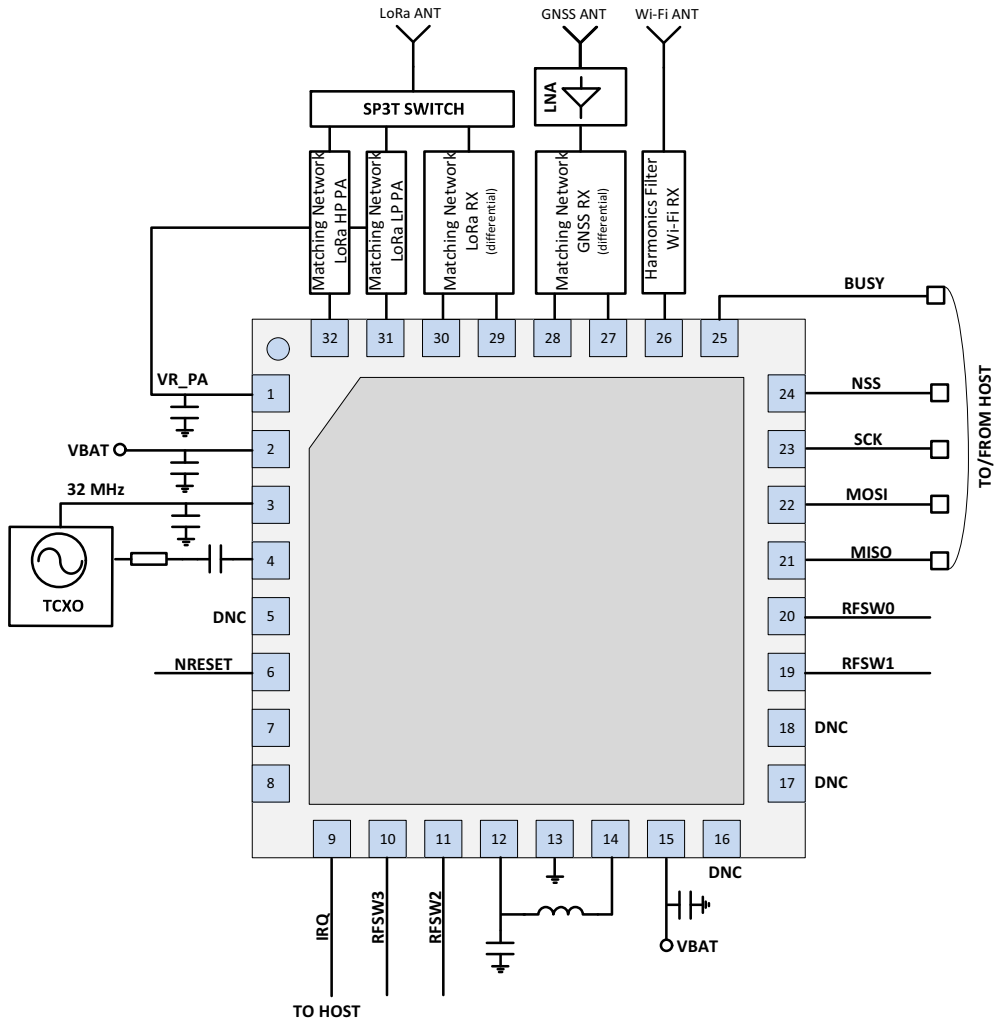
## 4.4 Firmware Upgrade/ Update

When going out of the Semtech production line, the LR1110 will be provisioned and contain the embedded firmware image. The customer will be able to upgrade, on his production line, the full embedded firmware image running on the LR1110, from its host controller, via SPI interface. The bootloader of the LR1110 will authenticate the firmware and will allow further execution. Only firmware images provided by Semtech can run on the LR1110. The LR1110 can also support patch updates, typically for maintenance on the field.

## 4.5 Simplified Reference Schematic

This section give reference schematics examples using the LR1110.

**Figure 4-4: Multi-band EU/US LoRaWAN Using Both sub-GHz PAs + GNSS + Wi-Fi Passive Scanner**



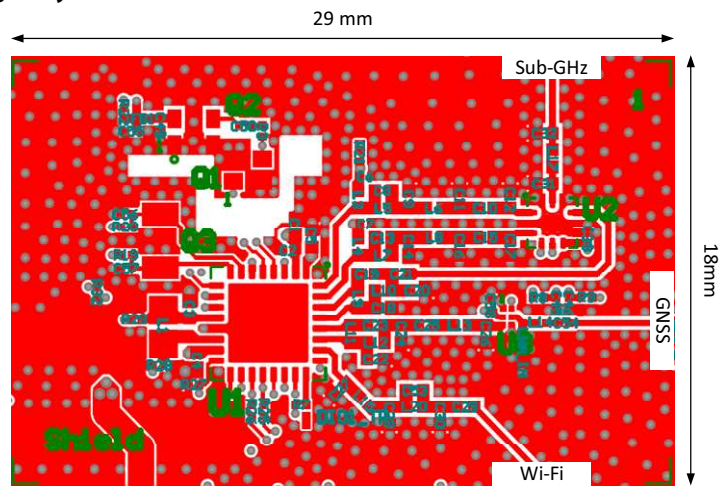
A TCXO is mandatory for GNSS scan. For Wi-Fi scan only products, the TCXO can be replaced by an XTAL, between pin 4 and pin 5.

An external LNA is required on the GNSS receive path for GNSS scanning. The LNA is controlled using the RFSWx signals. For LoRa® operating in lower frequency bands, 2 SPST switches might be needed to isolate the GNSS and Wi-Fi paths.

---

## 4.6 Example Reference Layout

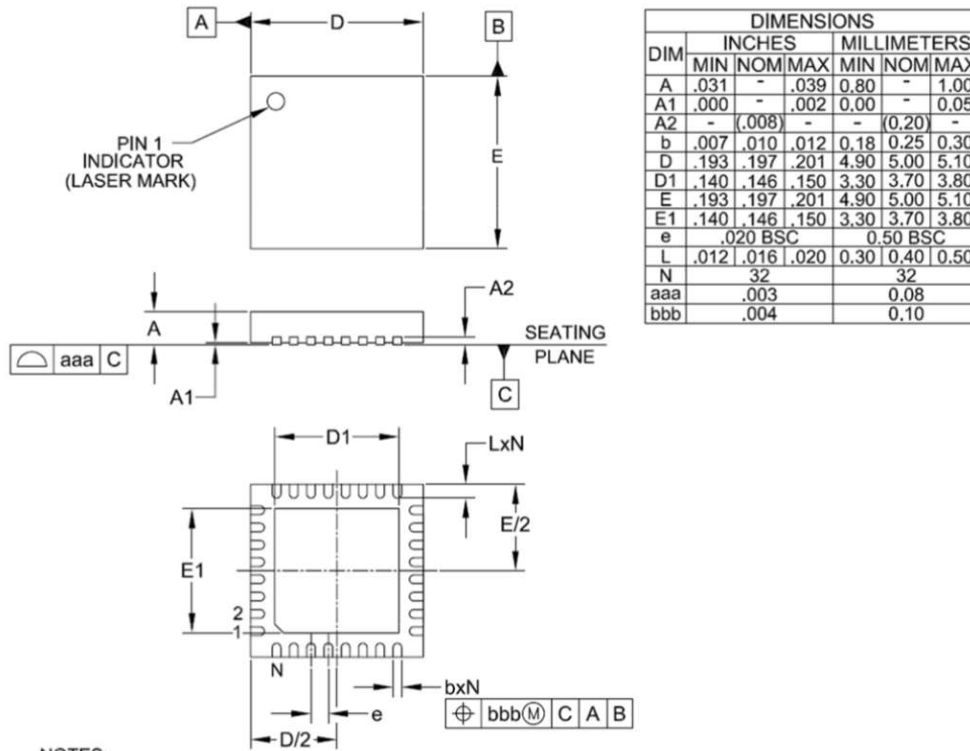
Figure 4-5: Reference Design Layout



# 5. Package Information

## 5.1 Package Outline Drawing

Figure 5-1: Package Outline Drawing

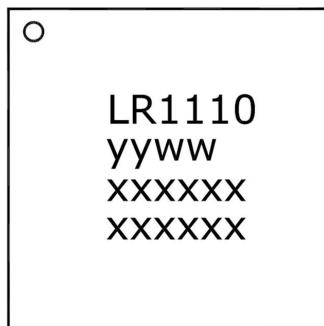


NOTES:

1. CONTROLLING DIMENSIONS ARE IN MILLIMETERS (ANGLES IN DEGREES).
2. COPLANARITY APPLIES TO THE EXPOSED PAD AS WELL AS THE TERMINALS.

## 5.2 Package Marking

Figure 5-2: Package Marking



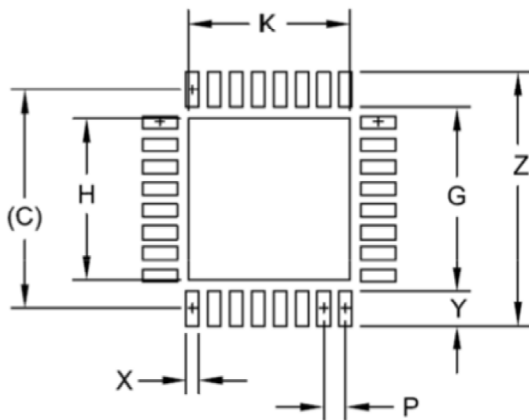
TOP MARK	
CHAR	ROWS
6/6/6/6	4

Marking for the 5 x 5 mm MLPQ 32 Lead package:

nnnnn = Part Number (Example: LR1110)  
 yyww = Date Code (Example: 1852)  
 xxxxxx = Semtech Lot No. (Example: E90101  
 xxxxxx 0101-1)

## 5.3 Land Pattern

Figure 5-3: Land Pattern



DIMENSIONS		
DIM	INCHES	MILLIMETERS
C	(.197)	(5.00)
G	.165	4.20
H	.146	3.70
K	.146	3.70
P	.020	0.50
X	.012	0.30
Y	.031	0.80
Z	.228	5.80

### NOTES:

1. THIS LAND PATTERN IS FOR REFERENCE PURPOSES ONLY. CONSULT YOUR MANUFACTURING GROUP TO ENSURE YOUR COMPANY'S MANUFACTURING GUIDELINES ARE MET.
2. THERMAL VIAS IN THE LAND PATTERN OF THE EXPOSED PAD SHALL BE CONNECTED TO A SYSTEM GROUND PLANE. FAILURE TO DO SO MAY COMPROMISE THE THERMAL AND/OR FUNCTIONAL PERFORMANCE OF THE DEVICE.
3. SQUARE PACKAGE - DIMENSIONS APPLY IN BOTH " X " AND " Y " DIRECTIONS.

## 5.4 Reflow Profiles

Reflow process instructions are available from the Semtech website, at the following address:  
[http://www.semtech.com/quality/ir\\_reflow\\_profiles.html](http://www.semtech.com/quality/ir_reflow_profiles.html)

The device uses a QFN32 5x5 mm package, also named MLP package.

## 5.5 Thermal Information

Table 5-1: Package Thermal Information

Name	Value <sup>1</sup>	Unit
Theta j-a, Junction to Ambient	26.7	°C/W

1. As measured on a 4-layer test board with 9 thermal vias, per the Jedec standard

# Glossary

## List of Acronyms and their Meaning

Acronym	Meaning
ACR	Adjacent Channel Rejection
ADC	Analog-to-Digital Converter
AP	Access Point
API	Application Programming Interface
$\beta$	Modulation Index
BER	Bit Error Rate
BR	Bit Rate
BT	Bandwidth-Time bit period product
BW	BandWidth
CAD	Channel Activity Detection
CPOL	Clock Polarity
CPHA	Clock Phase
CR	Coding Rate
CRC	Cyclical Redundancy Check
CW	Continuous Wave
DC-DC	Direct Current to Direct Current Converter
DIO	Digital Input / Output
DSB	Double Side Band
ECO	Engineering Change Order
FDA	Frequency Deviation
FEC	Forward Error Correction
FIFO	First In First Out
FSK	Frequency Shift Keying
GFSK	Gaussian Frequency Shift Keying
GMSK	Gaussian Minimum Shift Keying
GDPW	Gross Die Per Wafer
IF	Intermediate Frequencies
IRQ	Interrupt Request
ISM	Industrial, Scientific and Medical (radio spectrum)



## List of Acronyms and their Meaning

Acronym	Meaning
LDO	Low-Dropout
LDRO	Low Data Rate Optimization
LFSR	Linear-Feedback Shift Register
LNA	Low-Noise Amplifier
LO	Local Oscillator
LoRa®	Long Range Communication <i>the LoRa® Mark is a registered trademark of the Semtech Corporation</i>
LSB	Least Significant Bit
MISO	Master Input Slave Output
MOSI	Master Output Slave Input
MSB	Most Significant Bit
MSK	Minimum-Shift Keying
NOP	No Operation (0x00)
NRZ	Non-Return-to-Zero
NSS	Slave Select active low
OCP	Over Current Protection
PA	Power Amplifier
PER	Packet Error Rate
PHY	Physical Layer
PID	Product Identification
PLL	Phase-Locked Loop
POR	Power On Reset
RC13M	13 MHz Resistance-Capacitance Oscillator
RC64k	64 kHz Resistance-Capacitance Oscillator
RFO	Radio Frequency Output
RFU	Reserved for Future Use
RTC	Real-Time Clock
SCK	Serial Clock
SF	Spreading Factor
SN	Sequence Number
SNR	Signal to Noise Ratio
SPI	Serial Peripheral Interface

---

## List of Acronyms and their Meaning

Acronym	Meaning
SSB	Single Side Bandwidth
STDBY	Standby
TCXO	Temperature-Compensated Crystal Oscillator
XOSC	Crystal Oscillator



---

### Important Notice

Information relating to this product and the application or design described herein is believed to be reliable, however such information is provided as a guide only and Semtech assumes no liability for any errors in this document, or for the application or design described herein. Semtech reserves the right to make changes to the product or this document at any time without notice. Buyers should obtain the latest relevant information before placing orders and should verify that such information is current and complete. Semtech warrants performance of its products to the specifications applicable at the time of sale, and all sales are made in accordance with Semtech's standard terms and conditions of sale.

SEMTECH PRODUCTS ARE NOT DESIGNED, INTENDED, AUTHORIZED OR WARRANTED TO BE SUITABLE FOR USE IN LIFE-SUPPORT APPLICATIONS, DEVICES OR SYSTEMS, OR IN NUCLEAR APPLICATIONS IN WHICH THE FAILURE COULD BE REASONABLY EXPECTED TO RESULT IN PERSONAL INJURY, LOSS OF LIFE OR SEVERE PROPERTY OR ENVIRONMENTAL DAMAGE. INCLUSION OF SEMTECH PRODUCTS IN SUCH APPLICATIONS IS UNDERSTOOD TO BE UNDERTAKEN SOLELY AT THE CUSTOMER'S OWN RISK. Should a customer purchase or use Semtech products for any such unauthorized application, the customer shall indemnify and hold Semtech and its officers, employees, subsidiaries, affiliates, and distributors harmless against all claims, costs damages and attorney fees which could arise.

The Semtech name and logo are registered trademarks of the Semtech Corporation. The LoRa® Mark is a registered trademark of the Semtech Corporation. All other trademarks and trade names mentioned may be marks and names of Semtech or their respective companies. Semtech reserves the right to make changes to, or discontinue any products described in this document without further notice. Semtech makes no warranty, representation or guarantee, express or implied, regarding the suitability of its products for any particular purpose. All rights reserved.

© Semtech 2020

---

### Contact Information

Semtech Corporation  
Wireless & Sensing Products  
200 Flynn Road, Camarillo, CA 93012  
Phone: (805) 498-2111, Fax: (805) 498-3804  
[www.semtech.com](http://www.semtech.com)