

1/2 inch, Automatic Reset type

THERMOSTAT US-625

Application/ Electric oven, Heating unit, LBP etc.

Operating temp. 260°C max.



Ceramic case

US-625AXRLQL



US-625AXRSQE



US-625AXTLGO

Specification

Electrical rating	Type A : 125 VAC 15A max. (200mA min.) 250 VAC 10A max. (200mA min.) Type K : 30 VDC 1 A max. (5 VDC 1mA min.)				
Operating temp. range	0~50°C	51~100°C	101~150°C	151~190°C	191~260°C
Temperature tolerance	±4/±5K	±4/±6K	±5/±7K	±6/±8K	±7/±10K
Differential	12K	15K	20K	25K	30K
Circuit resistance	Type A : 50 mΩ or less Type K : 10 mΩ or less				
Insulation resistance	100 MΩ or more [with a 500 VDC megger]				
Dielectric strength	Type A : 1500 VAC / 1 min. Type K : 1200 VAC / 1 min.				
The max. override temp.	260°C (Max. operating temp. 200°C)				
Cold resistance	-20°C				
Switching durability	100,000 times or more [at rated load]				

- * The differential varies slightly with the operating temperature.
- * Please contact the Overseas Sec for the details since the types and specifications of the approved models are slightly different from those shown above.
- * US-625 is adapted to be a S.O.D. with a quick response.

Model code

US-625□□□□□

The material of the bracket stainless steel (other than KO and SO)

- QO : Aluminum cover , no bracket
- QE : Aluminum , movable surface bracket (pitch 23.8mm)
- QE-FB : Aluminum , fixed surface bracket (pitch 23.8mm)
- QL : Aluminum , movable surface bracket (pitch 24.5mm)
- QL-FB : Aluminum , fixed surface bracket (pitch 24.5mm)
- KO : Aluminum , air stream bracket (depth 5.0mm , 24.5mm)
- GO : Aluminum , air stream bracket (depth 5.4mm , 24.5mm)
- MO : Stainless cover , no bracket (with φ 12 hole type)
- JO : Stainless , air stream bracket (depth 5.2mm , 24.5mm)
- QD : Aluminum , movable surface bracket (pitch 30.0mm)
- DO : Aluminum cover , No bracket (with φ 12 hole type)
- NO : Aluminum cover , no bracket (with fringe type)

Cover • mounting bracket type

Terminal type

- L : Equivalent to Positive Lock Connector 250 series (size : 6.35 × t 0.8 material : brass , Ni-plated)
- G : Equivalent to Positive Lock Connector 250 series (size : 6.35 × t 0.8 material : steel , Ni-plated)
- M : Equivalent to Positive Lock Connector 187 series (size : 4.75 × t 0.5 material : brass , Ni-plated)
- H : Equivalent to Positive Lock Connector 187 series (size : 4.75 × t 0.5 material : steel , Ni-plated)
※ H : Combination of horizontal terminal (R)
- V : Equivalent to IEC 60730-1 quasi-terminal (size : 4.8 × t 0.8 material : brass , Ni-plated)
- D : Equivalent to DIN46244 (size : 4.8 × t 0.8 material : brass , Ni-plated)
- I : Fixed screw mount (steel t 0.8 , Ni-plated)
※ I : Combination of horizontal terminal (R)
- S : For soldering (Brass t 0.5 , Sn-plated)

Terminal angle

- R : Horizontal terminal
- T : Vertical terminal

Contact type

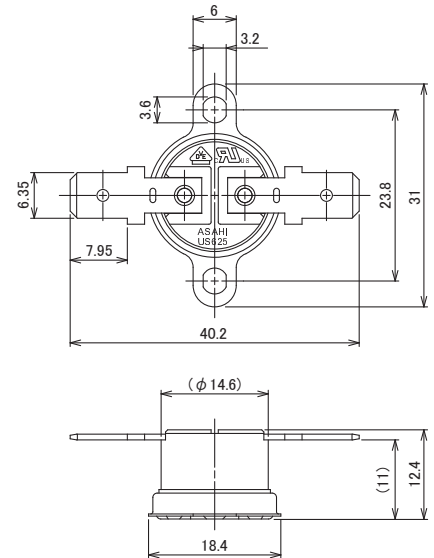
- X : Open on temperature rise
- Y : Close on temperature rise

Application type

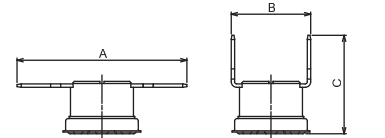
- A : Ag • Ag alloy contact / standerd case (Type A)
- K : Au cross bar contact / standerd case (Type K)

Dimensional drawings

US-625AXRLQE



Terminal type and angle



Terminal type	A	B	C
L , G	(40.2)	(18.8)	(23.3)
M , H	(36.0)	(18.2)	(20.9)
V	(33.0)	(19.0)	(19.5)
D	(34.5)	(19.0)	(20.5)
I	(34.5)	—	—
S	(22.5)	(16.0)	(16.0)

※ Above dimation is applied for US-625

※ For Cover and bracket model, please refer to page 16.