

1/2 Disc , Manual Reset type

# THERMOSTAT US-623

Application/ Boilers , heaters etc.

Operating temp. 200°C max.



PPS resin case

US-623AXRGQL



Model code

US-623□□□□□

- Cover • mounting bracket type
  - QO : Aluminum cover , no bracket
  - QE : Aluminum , movable surface bracket (pitch 23.8mm)
  - QE-FB : Aluminum , fixed surface backet (pitch 23.8mm)
  - QL : Aluminum , movable surface bracket (pitch 24.5mm)
  - QL-FB : Aluminum , fixed surface backet (pitch 24.5mm)
  - KO : Aluminum , air stream backet (depth 5.0mm , 24.5mm)
  - GO : Aluminum , air stream backet (depth 5.4mm , 24.5mm)
  - MO : Stainless cover , no bracket (with  $\phi$  12 hole type)
  - IO : Stainless , air stream backet (depth 4.6mm , 24.5mm)
  - JO : Stainless , air stream backet (depth 5.2mm , 24.5mm)
  - QD : Aluminum , movable surface bracket (pitch 30.0mm)
  - QM : Aluminum , movable surface bracket (pitch 23.8mm) (for mounting an M3 tapping screw)
  - DO : Aluminum cover , no bracket (with  $\phi$  12 hole type)
  - NO : Aluminum cover , no bracket (with frange type)
  - CO : Stainless , air stream backet (with hole, depth 5.2, 24.5)
  - SO : Brass cover , stud mounting type [M3 × 0.5, M4 × 0.7, M5 × 0.8, 6-32UNC, 8-32UNC, 10-32UNF]
- Terminal type
  - G : Terminal for positive lock connector 250 series (size : 6.35 × t 0.8 material: steel , Ni-plated)
  - H : Terminal for positive lock connector 187 series (size : 4.75 × t 0.5 material: steel , Ni-plated) ※ H : Combination of horizontal terminal (R)
  - I : For fixing with screw (steel t 0.8 , Ni-plated ) ※ I : Combination of horizontal terminal (R)
- Terminal angle
  - R : Horizontal termina
  - T : Vertical terminal
- Contact type
  - X : Open on temperature rise
- Contact material
  - A : Ag • Ag alloy contact



US-623AXTGKO



US-623AXRGJO

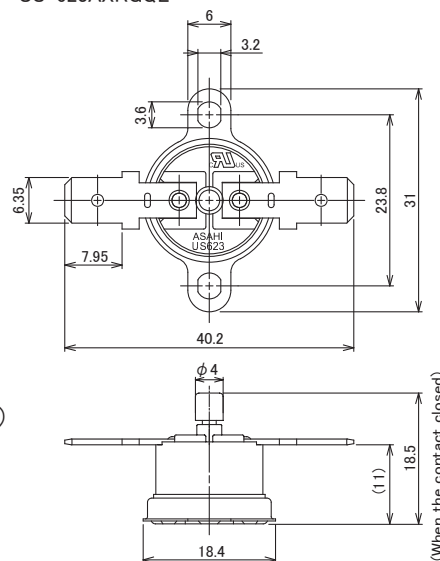
Specification

Electrical rating	125 VAC 16A max. ( 200mA min. ) 250 VAC 16A max. ( 200mA min. )
Operating temp. range	151~200°C
Temperature tolerance	±7K
Circuit resistance	50 mΩ or less
Insulation resistance	100 MΩ or more [ with a 500 VDC megger ]
Dielectric strength	1500 VAC / 1min.
Heat resistance	200°C
Cold resistance	-20°C
Switching durability	6,000 times or more [ at rated load ]

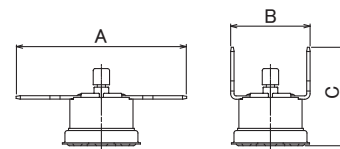
\* The differential varies slightly with the operating temperature.  
\* Please contact the Overseas Sec for the details since the types and specifications of the approved models are slightly different from those shown above.

Dimensional drawings

US-623AXRGQL



Terminal type and angle



[ Unit: mm ]

Terminal type	A	B	C
G	( 40.2 )	( 18.8 )	( 23.3 )
H	( 36.0 )	—	—
I	( 34.5 )	—	—

※ Above dimation is applied for US-623

※ For Cover and bracket model, please refer to page 16.